

**Warranty
Registration:**
register online today for a chance
to win a FREE Tripp Lite product—
www.tripplite.com/warranty

Owner's Manual

SmartOnline™ 3-Phase 20kVA & 30kVA Intelligent True On-Line UPS Systems

Input/Output Voltage: 120/208V AC, 3ø, 4 wire (plus ground), wye



Important Safety Warnings

2

Front Panel

3

Rear Panel

5

Installation

6

Operation (Normal Conditions)

7

Operation (Special Conditions)

8

Communications

10

Adding or Replacing Internal Batteries

11

Service

16

Warranty & Warranty Registration

16

Specifications

17

Español

19

Français

38



1111 W. 35th Street • Chicago, IL 60609 USA
(773) 869-1234 • www.tripplite.com

Important Safety Warnings



SAVE THESE INSTRUCTIONS. This manual contains important instructions and warnings that should be followed during the installation and maintenance of all Tripp Lite SmartOnline 3-Phase 20kVA and 30kVA UPS Systems.

UPS Location Warnings

- Install your UPS in a controlled environment.
- Install your UPS indoors, away from heat, direct sunlight, dust, and excess moisture or other conductive contaminants.
- Install your UPS in a structurally sound area that is level. Your UPS is extremely heavy; take care when moving and lifting the unit.
- Only operate your UPS at indoor temperatures between 32° F and 104° F (between 0° C and 40° C). For best results, keep indoor temperatures between 62° F and 84° F (between 17° C and 29° C).
- Leave adequate space around all sides of the UPS for proper ventilation.
- Do not install the UPS near magnetic storage media, as this may result in data corruption.
- The UPS System is designed to support a maximum load rating of one (1) power module and up to two (2) fully-loaded battery modules. Failure to observe this maximum load rating (by stacking more than one power module and/or more than two battery modules) will cause permanent damage to the UPS System and create a potential for serious personal injury.
- The UPS System's caster wheels are only designed for slight position adjustments within the final installation area; they are not designed for moving the UPS System over considerable distances. The wheels are not designed to provide long-term support for the UPS system after final installation. Mounting bracket installation is required. See Installation section.

UPS Connection Warnings

- The power supply for this unit must be three phase rated in accordance with the equipment nameplate. It also must be suitably grounded according to all applicable local electrical wiring regulations.

Equipment Connection Warnings

- Do not use Tripp Lite UPS Systems in life support applications in which a malfunction or failure of a Tripp Lite UPS System could cause failure or significantly alter the performance of a life support device.
- The UPS system contains its own energy source (battery). The output terminals may be live even when the UPS is not connected to an AC supply.

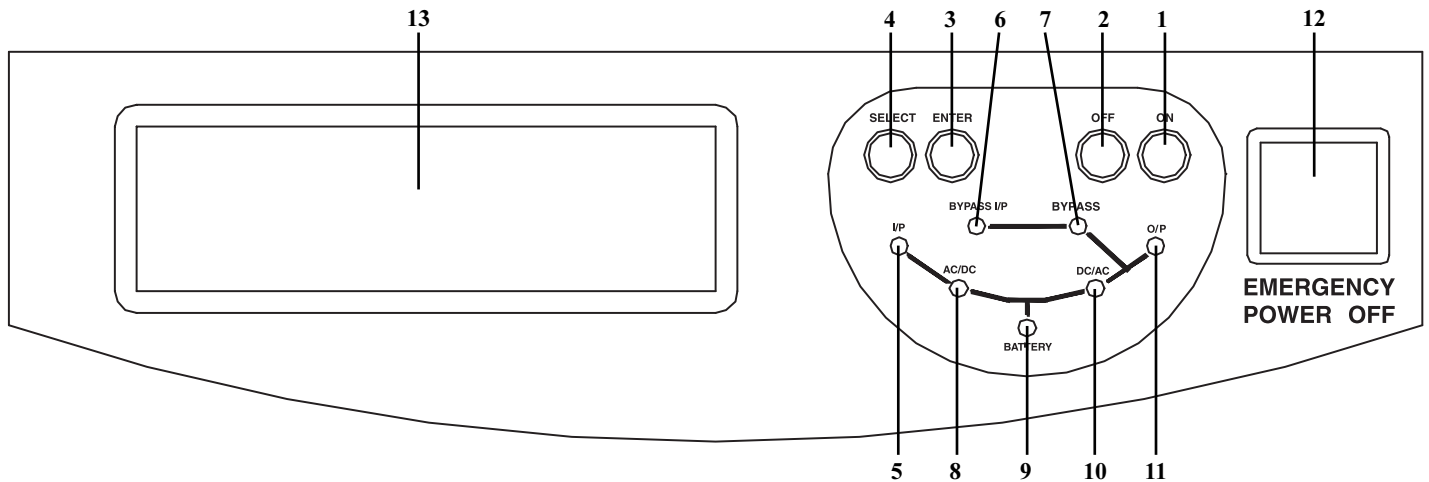
Battery Warnings

- Your UPS does not require routine maintenance. Do not open the UPS's power module for any reason; there are no user-serviceable parts inside. Because of the risk of electrical shock, only qualified electricians should open the battery module.
- Because the batteries present a risk of electrical shock and burn from high short-circuit current, batteries should be changed only by trained service personnel observing proper precautions. Remove watches, rings, and other metal objects. Use tools with insulated handles. Wear rubber gloves and boots. Do not lay tools or metal parts on top of the batteries. Do not short or bridge the battery terminals with any object.
- Do not dispose of the batteries in a fire. The UPS batteries are recyclable. Refer to local codes for disposal requirements, or in the USA only, refer to these sources for recycling information: 1-800-SAV-LEAD (1-800-728-5323), 1-800-8-BATTERY (1-800-8-228-8379), or www.rbrc.com.
- Internal batteries must be replaced by equivalent batteries available from Tripp Lite.
- Do not operate your UPS without batteries.
- Battery fuses should be replaced only by factory authorized personnel. Blown fuses should be replaced only with fuses of the same number and type.
- Potentially lethal voltages exist within this unit as long as the battery supply is connected. Service and repair should be done only by trained personnel. During any service work, the UPS should be turned off or put into manual bypass.
- Do not connect or disconnect the battery modules while the UPS is operating from the battery supply or when the unit is not in bypass mode.

Front Panel

Familiarize yourself with the location and function of the features on your UPS system before installing and operating it.

CONTROL PANEL



1. **“ON” Button:** This button turns the UPS System's inverter ON.

2. **“OFF” Button:** This button turns the UPS System's inverter OFF.

NOTE: If the UPS System remains off for an extended period of time, it should be turned back on periodically to allow the internal batteries to recharge. The UPS System should be turned on and the internal batteries should be recharged at least one uninterrupted 24-hour period every 3 months. Failure to provide periodic recharge time may cause irreversible battery damage.

3. **“ENTER” Button:** This button changes or selects the variables shown on the LCD Display. Simultaneously press the “ENTER” Button and the “SELECT” Button and hold for a ¼ second to mute audible alarm.

4. **“SELECT” Button:** This button allows you to browse through different power readings on the LCD Display by momentarily pressing the button. Simultaneously press the “ENTER” Button and the “SELECT” Button and hold for a ¼ second to mute audible alarm.

5. **“I/P” (Input) LED:** This green light will illuminate constantly to indicate an AC input supply is present.

6. **“BYPASS I/P” (Bypass Input) LED:** This green light will illuminate to indicate an AC input supply is present at bypass input.

7. **“BYPASS” LED:** This yellow light will flash when the UPS is providing filtered mains power without engaging its converter or inverter. Connected equipment will not receive battery power in the event of a blackout.

8. **“AC/DC” (Converter) LED:** This green light will illuminate constantly to indicate the UPS's AC/DC converter is activated.

9. **“BATTERY” LED:** This red light will flash when the UPS is discharging the battery to provide connected equipment with AC power. An alarm will sound which can be muted by simultaneously pressing and holding the “ENTER” and “SELECT” Buttons for a ¼ second. The alarm will be muted, but the LED will remain illuminated.

10. **“DC/AC” (Inverter) LED:** This green light will illuminate constantly to indicate the UPS's DC/AC inverter is activated.

11. **“O/P” (Output) LED:** This green light will illuminate constantly to indicate your UPS is supplying AC power to connected equipment.

12. **“EMERGENCY POWER OFF” Button:** This button turns the UPS output OFF and disables Bypass output. After pressing the button, it will remain down until reset. To reset the UPS System and restore output, press the “Emergency Power Off” Button once, and it will pop back up. If the Input Breakers are OFF, turn them ON. Press the “OFF” Button for 3 seconds (until a beep is heard); this will place the UPS System in “Bypass Mode.” Then, press the “ON” Button for one second. The UPS will re-start if AC line power is present.

13. **LCD Display:** This backlit dot matrix display indicates a wide range of UPS operating conditions and diagnostic data. It will illuminate after you have properly completed installation and start-up and after the “ON” Button is depressed.

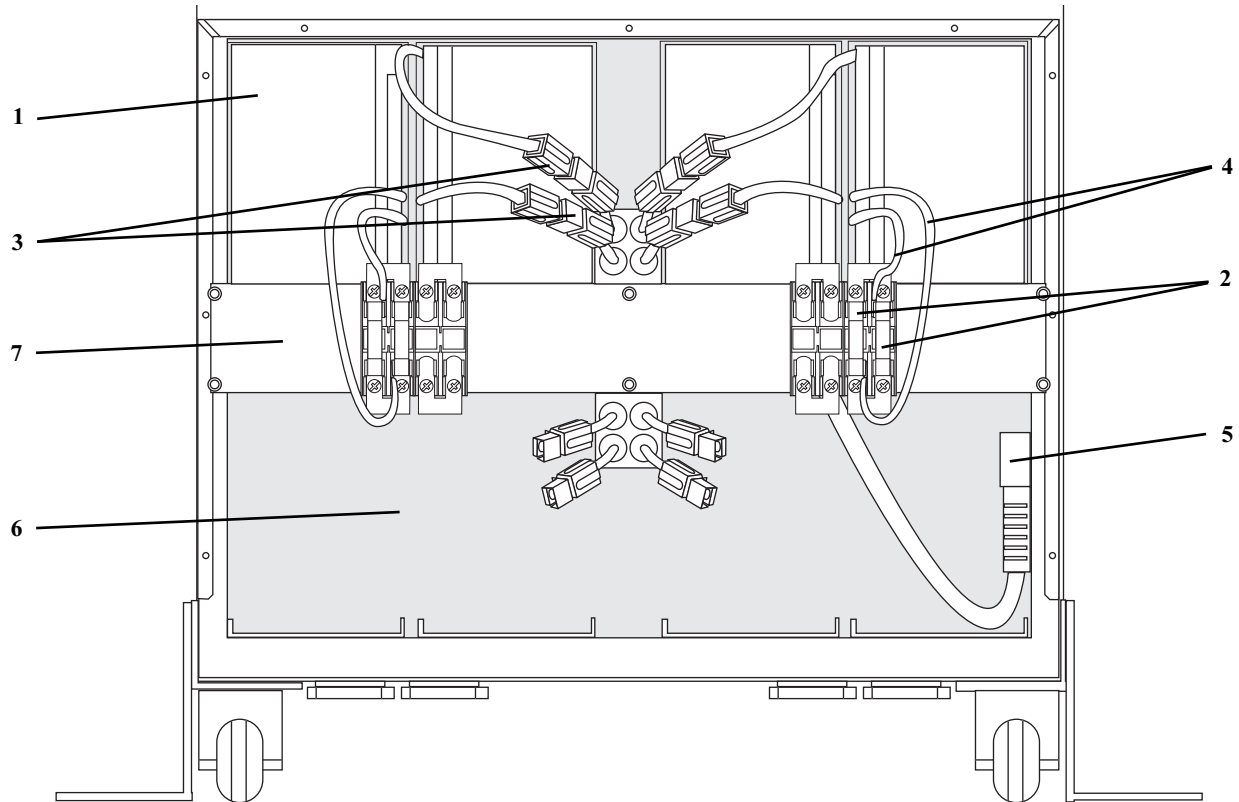
Note: the LCD Display's backlighting will turn off 10 minutes after any of the following front-panel buttons have been depressed: “SELECT”, “ENTER” or “ON”. To turn on the LCD Display's backlighting, momentarily depress any of the following front-panel buttons: “SELECT”, “ENTER” or “ON”.

Exhaust Fans (not shown): These cool and ventilate the inside of the UPS.

Front Panel *(continued)*

BATTERY ACCESS PANEL (cover removed)

Individual models may vary slightly from diagram.

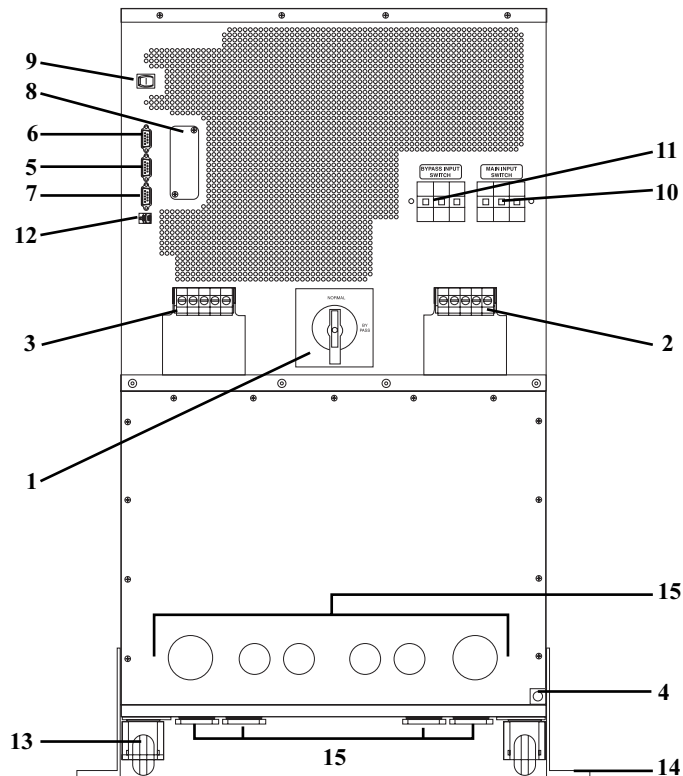


- 1. Internal Battery Packs:** These supply backup runtime to connected equipment. Each pack consists of two strings (one positive and one negative). The number of included battery packs varies depending on UPS model number. Battery packs must be replaced by a qualified electrician. See “Adding or Replacing Internal Batteries” section for details.
- 2. Battery Cartridge Fuses:** Protect against short circuit damage. If a heavy overload or short circuit is encountered, a fuse will blow. A battery pack with a blown fuse will not deliver any output voltage to the UPS system. The fuses must be replaced by a qualified electrician. See “Fuse Replacement” in the “Adding or Replacing Internal Batteries” section for details.
- 3. Internal Battery Pack Connectors (Red & Black):** Connect the individual internal battery packs to the overall battery system.
- 4. Internal Battery Pack Jumper Cables (White & Blue):** Connect the internal battery pack strings together through the fuse block.
- 5. Battery System Connectors:** One connector (internal, not shown) connects the battery module to the power module. The other connector (shown) connects the battery module to an additional optional battery module (not shown, available separately from Tripp Lite). The battery system connectors are only utilized when adding an additional battery module. Use of these connectors is outlined in the owner's manual included with the additional battery module.
- 6. Extended Runtime Capability:** Open slots accept additional internal battery packs (available separately from Tripp Lite) to extend runtime. The number of open slots varies depending on UPS model number. All models accept the connection of an additional battery module (available separately from Tripp Lite) to further extend runtime. Contact Tripp Lite for details.
- 7. Fuse Block Bracket:** Accepts Battery Cartridge Fuses.

Rear Panel

REAR PANEL

Individual models may vary slightly from diagram.



- 1. Manual Bypass Switch:** This dial is used to put the UPS in “BYPASS” mode, which must be done before performing any maintenance on the UPS with the connected load supported. [See “Operation (Special Conditions)” for step-by-step instructions for going into “BYPASS.”] While this switch is on “BYPASS,” connected equipment will receive filtered AC mains power, but will not receive battery power in the event of a blackout.
- 2. Input Terminal Block (cover removed):** Use these terminals to connect your UPS to the AC main power input. Unscrew and remove terminal block plate for access.
- 3. Output Terminal Block (cover removed):** Use these terminals to connect your UPS to equipment. Unscrew and remove terminal block plate for access.
- 4. Grounding Lug:** Connects the UPS system to earth ground. See Installation section.
- 5. AS-400 Interface Port:** This female DB9 port connects your UPS to an IBM AS-400 computer interface via an AS-400 Cable. It uses AS-400 communications to report UPS status and power conditions. Using this port, an IBM AS-400 computer can automatically save open files and shut down its operating system during a blackout. See “Communications” for details.
- 6. “Smart” RS-232 Interface Port:** This female DB9 port connects your UPS to a workstation or server. It uses RS-232 communications to report UPS and power conditions. It is used with Tripp Lite software and an RS-232 Cable to monitor and manage network power and to automatically save open files and shut down equipment during a blackout. See “Communications” for details.
- 7. Dry Contact Interface Port:** This female DB9 port sends contact-closure signals to indicate line-fail and low-battery status. See “Communications,” for details.
- 8. Accessory Slot:** Remove the small cover panel and use optional accessories to remotely control and monitor your UPS. Contact Tripp Lite Customer Support for more information and a list of available SNMP, network management and connectivity products.
- 9. “Battery Start” Switch:** This momentary rocker switch allows you to “cold-start” your UPS and use it as a stand-alone power source when utility-supplied AC power is not present. The switch enables the UPS’s DC/AC Inverter. Before “cold-starting” your UPS, make sure it is properly installed. Press and hold the “Battery Start” Switch and then press the “ON” button to turn your UPS ON. To turn it OFF after “cold-start,” press the “OFF” button.
- 10. Main Input Switch:** Circuit breaker controls AC input power to the UPS during normal operation.
- 11. Bypass Input Switch:** Circuit breaker controls AC input power to the UPS during “BYPASS” operation.
- 12. Remote “Emergency Power OFF” (EPO) Connector:** This modular jack allows remote emergency shutdown. See “Communications” for details.
- 13. Wheels:** The wheels are only designed for slight position adjustments within the final installation area; they are not designed for moving the UPS System over considerable distances. **NOTE: the wheels are not designed to provide long-term support for the UPS system after final installation. Mounting bracket installation is required. See Installation section.**
- 14. Mounting Brackets:** Help support the UPS system. **NOTE: Mounting bracket installation is required. See Installation section.**
- 15. Hardwire Access Points:** Allow either back panel or bottom panel access for electrical connection.

Installation

UPS LOCATION

Move your UPS over short distances using its wheels. **NOTE: the wheels are not designed to provide long-term support for the UPS system after final installation. Mounting bracket installation is required.**

MOUNTING BRACKET INSTALLATION

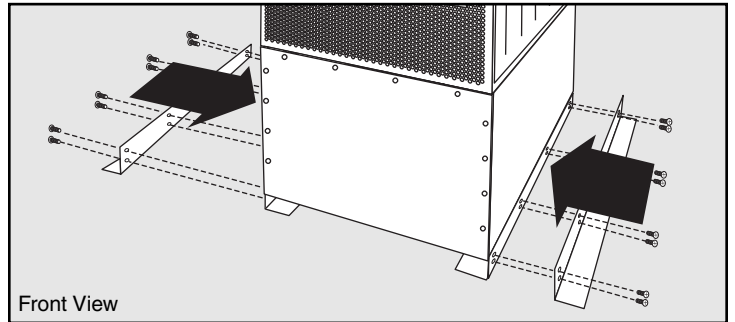


DANGER!

RISK OF PRODUCT DAMAGE AND SERIOUS PERSONAL INJURY

The UPS System's wheels are not designed to provide long-term support for the UPS system after final installation. **MOUNTING BRACKET INSTALLATION IS REQUIRED.** If the mounting brackets are not installed, the wheels may eventually fail and potentially damage the UPS System and cause serious personal injury.

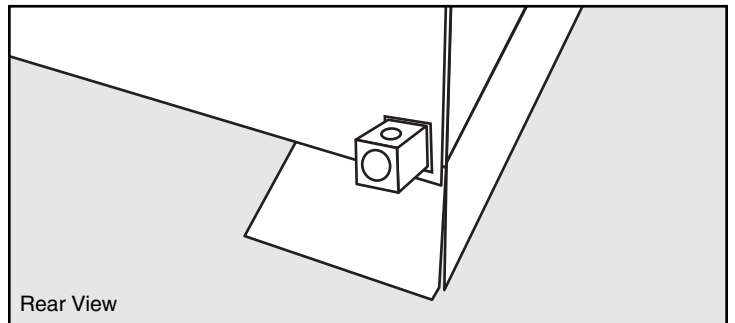
Using the included bolts, install one mounting bracket on each side of the UPS System as shown. If desired, install the bracket to the floor surface with user-supplied hardware.



Front View

GROUNDING CONNECTION

Using a user-supplied 4 AWG ground wire, connect the UPS System's ground lug to earth ground. Tighten connections with a torque of not less than 35 inch-lbs. (3.9 NM). Keep ground wire connected at all times after installation.



Rear View

UPS INPUT AND OUTPUT HARDWIRE CONNECTION

In addition to the instructions listed below, follow all warnings found in the Safety section prior to connection.

- Install with flex cable of sufficient length to move UPS clear of surrounding equipment for servicing (sides and rear).
- Use ferrule caps to cover termination cables connected to UPS to avoid frayed ends from shorting on terminal block.
- Neutral conductor must be same size as current conductors.

WIRING SELECTION

Choose appropriate cabling (rated VW-1, FT-1 or better) to connect your UPS to an AC power supply and your equipment.

UPS System Model	Wiring Size
20kVA	6 AWG / 14 mm ²
30kVA	4 AWG / 22 mm ²

Maximum Cable Length: 10 m (32.8 ft)

Installation *(continued)*

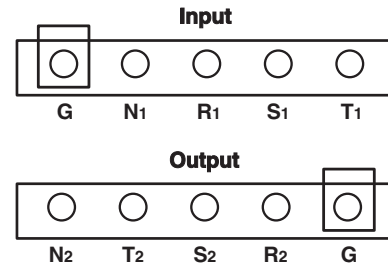
WIRING CONNECTION

Connect your wiring to the input and output terminal blocks located on the rear panel of your UPS (see figure below).

CAUTION!

Qualified personnel should follow all procedures prescribed by N.E.C. and other local codes for hardwiring devices to a utility source.

Ensure that cables are fitted with cable sleeves and are secured by connector clamps. Tighten connections with a torque of not less than 35 inch-pounds. Observe the appropriate cable connection regulations [e.g. National Electrical Code (NEC) in the U.S.] at all times. Using cables of improper size may damage your equipment and cause fire hazards.



NOTE: when shipped from the factory, bypass input and main input wires are connected.

INITIAL BATTERY CHARGING

Although the internal batteries are charged prior to shipping, allow the internal batteries to charge uninterrupted for 24 hours after initial installation.

Operation (Normal Conditions)

TURNING THE UPS ON

- Make sure the UPS is properly installed (see Installation section) and the Manual Bypass Switch is set to NORMAL.
- Turn the AC Main Input Switch and Bypass Input Switch Circuit Breakers ON.
- If your AC input is providing power normally within your selected range, your connected load will energize in Bypass. However, the UPS's inverter is not yet on. Press the front "ON" button to begin inverter operation.
- If your AC input is not providing power normally, you have the option of starting from battery. (Your battery must be at least partially charged for this operation to succeed.) Press and hold both the "Battery Start" switch and the "ON" button for three seconds to start your UPS in "ON BATTERY" mode. Note that some electronic equipment may draw more amps during startup; when starting from battery, consider reducing the initial load on the UPS.
- The UPS will perform a brief self-test and show the results on the LCD Display. (See Self-Testing section, for display sequence.) After a successful self-test, the UPS will provide AC power from the inverter to your load.

TURNING THE UPS OFF

- Press the front "OFF" button. Your load will still be energized. The inverter is now off, but your UPS is not fully deactivated. The LCD Display will show "ON BYPASS."
- Turn the Main Input Switch and Bypass Input Switch Circuit Breakers OFF. Your load will no longer be energized, and the LCD display will be dark.

NOTE: If the UPS System remains off for an extended period of time, it should be turned back on periodically to allow the internal batteries to recharge. The UPS System should be turned on and the internal batteries should be recharged at least one uninterrupted 24-hour period every 3 months. Failure to provide periodic recharge time may cause irreversible battery damage.

SELF-TESTING

When you turn the UPS ON, it will perform a brief self-test. See charts below for display sequences.

Display sequence when AC input power is present:

SELF TESTING..
RECTIFIER OK
CHARGER OK
BATTERY OK
DC TO DC OK
INVERTER TEST

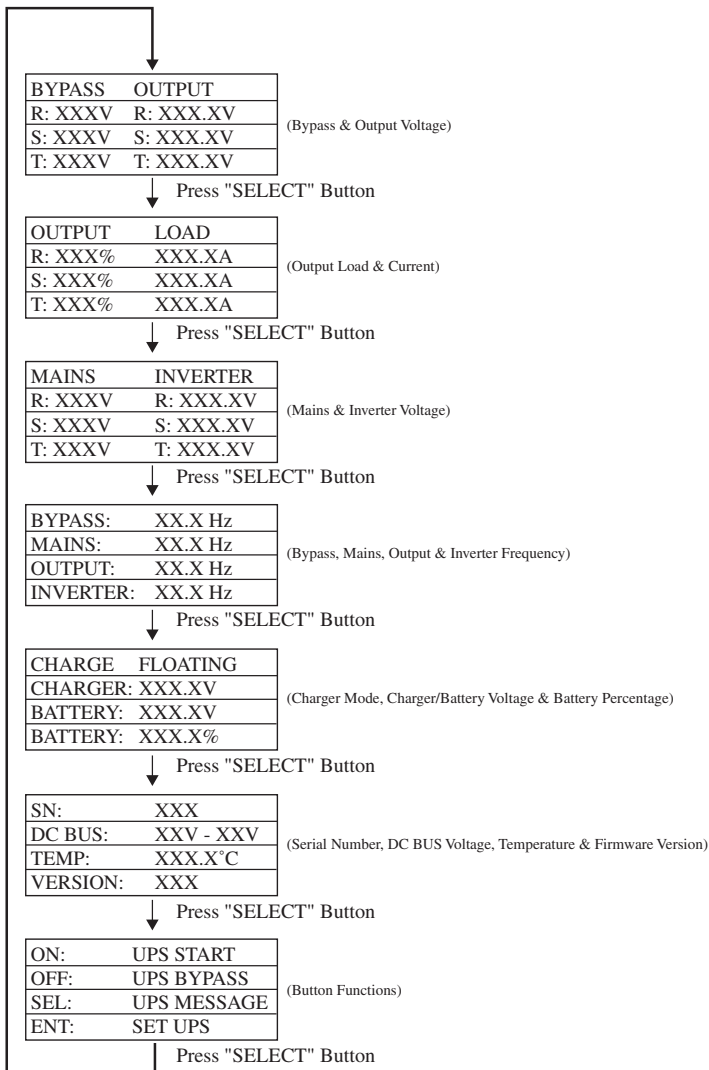
Display sequence when AC input power is absent:
(possible only with the "Battery Start" Switch)

SELF TESTING..
BATTERY OK
DC TO DC OK
INVERTER TEST

Operation (Normal Conditions) *(continued)*

LCD DISPLAY SELECT BUTTON

Momentarily press the “SELECT” button on the front panel to browse through different power readings on the LCD Display.



Operation (Special Conditions)

OPERATION ON BYPASS—VOLTAGE OUT OF RANGE

While in Bypass Mode, the UPS monitors the input voltage, which on Bypass equals the output voltage. If the output voltage passes out of an acceptable range (between 15% higher and 20% lower than nominal), the UPS displays the condition on its LCD and stops supplying output power to its load. If power levels return to an acceptable level, the UPS resumes supplying power to the load, and its LCD reports that output voltage was too high or too low at one time, but has returned to nominal.

Bypass Voltage Condition	LCD Display Message
>15% Higher than Nominal	BYPASS HI NO O/P
>20% Lower than Nominal	BYPASS LO NO O/P
Was Too High, Now Nominal	BYPASS WAS HI
Was Too Low, Now Nominal	BYPASS WAS LO

Operation (Special Conditions) *(continued)*

INVERTER ON WARNINGS

When the inverter is ON, the LCD Display may show any one of the following warnings:

Condition	LCD Display Message
UPS Output Overload	OVERLOAD 110%
UPS Charger Failure	CHARGER FAILURE
Abnormal Input Frequency	FREQUENCY ERROR
Abnormal Input Phase	PHASE ABNORMAL!
Battery is Depleting*	ON BATTERY
Battery Charge is Nearly Depleted*	BATTERY LOW

* During a prolonged blackout, users should save files and shut down connected equipment.

The “BATTERY LOW” message indicates the UPS's batteries are nearly out of power and UPS shut down is imminent.

OPERATION UNDER SHUTDOWN

Your UPS will shut down and the LCD will display a message if it detects one of the following conditions. Note: For all conditions, the “Input,” “Output” and “Bypass” LEDs will be illuminated.

Condition	LCD Display Message
Overload Shutdown	ON BYPASS OVERLOAD 150% SHUTDOWN... VERSION: XXXXXXXX
UPS Output Short Circuit	ON BYPASS SHORT CIRCUIT! SHUTDOWN... VERSION: XXXXXXXX
Overtemperature	ON BYPASS HIGH TEMP! SHUTDOWN... VERSION: XXXXXXXX
DC BUS Overvoltage	ON BYPASS DC BUS O.V.P! SHUTDOWN... VERSION: XXXXXXXX
DC BUS Failure	ON BYPASS DC BUS FAIL! SHUTDOWN... VERSION: XXXXXXXX

Condition	LCD Display Message
R/S/T Inverter Output Failure	ON BYPASS R OUTPUT FAIL! SHUTDOWN... VERSION: XXXXXXXX
Low Battery	BYPASS OFF NO O/P LOW BATTERY! SHUTDOWN... VERSION: XXXXXXXX
Remote Shutdown	BYPASS OFF NO O/P REMOTE SHUTDOWN SHUTDOWN... VERSION: XXXXXXXX
Emergency Stop	BYPASS OFF NO O/P EMERGENCY STOP! SHUTDOWN... VERSION: XXXXXXXX

OPERATION OF MANUAL BYPASS SWITCH

Turn this switch to “BYPASS” before performing any maintenance on the UPS with the connected load supported. Connected equipment will receive filtered AC mains power, but will not receive battery power in the event of a blackout.

SWITCHING UPS TO “BYPASS” MODE

- Press the “OFF” button.
- Turn the “Manual Bypass” Switch clockwise from NORMAL to BYPASS.
- Turn the Main Input Switch Circuit Breaker OFF.

SWITCHING UPS TO “NORMAL” MODE

- Turn the Main Input Switch Circuit Breaker ON.
- Turn the “Manual Bypass” Switch counterclockwise from BYPASS back to NORMAL.
- Press the “ON” button.

Communications

RS-232 INTERFACE

This female DB9 port connects your UPS via an RS-232 cable to a workstation or server equipped with Tripp Lite software. The port uses RS-232 communications to report UPS status and power conditions. Using this port, Tripp Lite software can monitor and manage network power and automatically save open files and shut down equipment during a blackout. Contact Tripp Lite Customer Support at (773) 869-1234 for information on available SNMP, network management and connectivity software and products.

RS-232 signals and operations include: load level, battery status, battery level, operation mode, AC input voltage, AC output voltage, AC input frequency, temperature inside unit, set shut-down delay time, enable/disable alarm and remote shutdown.

Hardware:

Baud Rate: 2400 BPS
 Data Length: 8 bits
 Stop Bit: 1 bit
 Parity: NONE

Pin assignment:

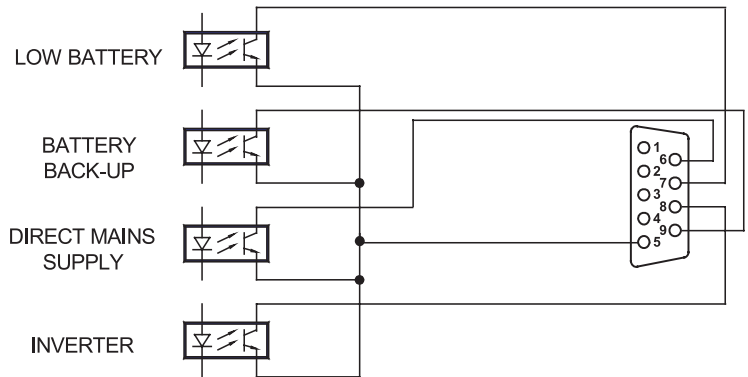
Pin 2: TXD (Transmit Data)
 Pin 3: RXD (Receive Data)
 Pin 5: GND (Signal Ground)

AS-400 INTERFACE

This female DB9 port connects your UPS to an IBM AS-400 computer via an AS-400 cable. The port uses AS-400 communications to report UPS status. It can be used to allow an AS-400 to automatically save open files and shut down its operating system during a blackout. AS-400 protocol includes: operation on inverter, operation on AC power supply, operation on battery and low battery alarm.

Pin assignment:

Pin 5: Common
 Pin 6: Operation on AC power supply
 Pin 7: Low battery alarm
 Pin 8: Operation on inverter
 Pin 9: Operation on battery



AS-400 INTERFACE TABLE

	Pin 6,5	Pin 7,5	Pin 8,5	Pin 9,5
Battery	OFF	*	ON	ON
Low Battery	OFF	ON	ON	ON
Direct Mains Supply	ON	OFF	OFF	OFF
Inverter	OFF	*	ON	*

* Inactive: may be in either state.

DRY CONTACT INTERFACE

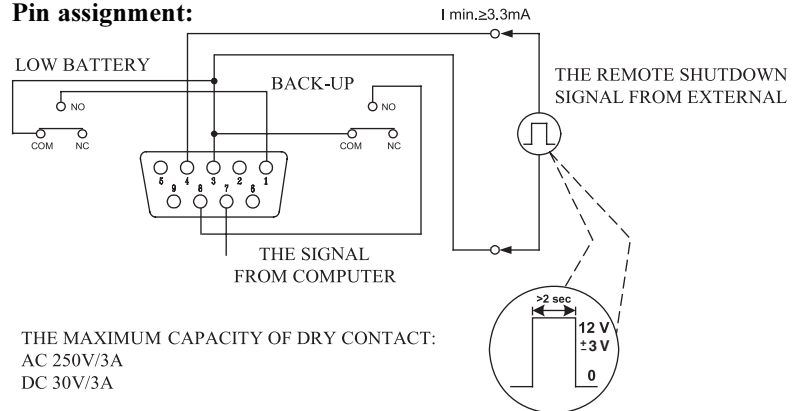
This female DB9 contact-closure port allows your UPS to send contact-closure signals to indicate that it is on battery back-up mode and if its batteries are running low. The port can also receive a remote shutdown signal.

DRY CONTACT INTERFACE TABLE

UPS Operating Mode	Pin 8,3	Pin 1,3
Normal	OPEN	OPEN
Back Up	CLOSE	*
Low Battery	CLOSE	CLOSE

* Inactive: may be in either state.

Pin assignment:



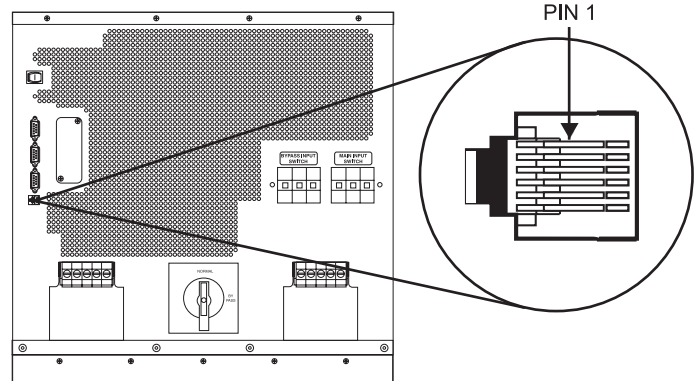
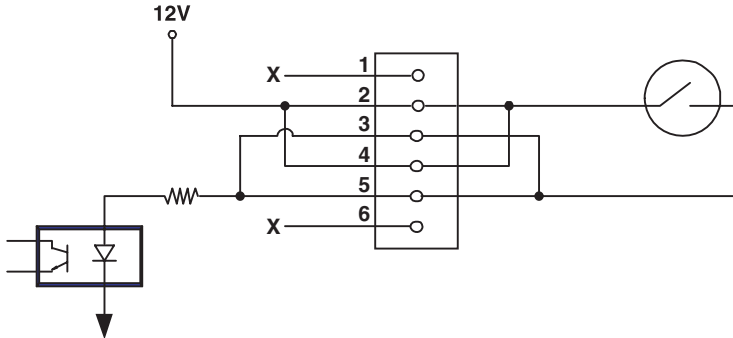
THE MAXIMUM CAPACITY OF DRY CONTACT:
 AC 250V/3A
 DC 30V/3A

Communications *(continued)*

REMOTE EMERGENCY POWER OFF (EPO)

This optional feature is only for those applications which require connection to a facility's Emergency Power Off (EPO) circuit. When the UPS System is connected to this circuit, it enables emergency shutdown of the output. Using a user-supplied cable, connect the UPS System's EPO port to a user-supplied remote switch. The EPO port is not a phone line surge suppressor; do not connect a phone line to this port. The pin assignments for the EPO port are shown in the following diagram. Note: if there is a short between pins 2 and 3, 2 and 5, 4 and 5, or 3 and 4, the UPS system will power off. To reset from a Remote Emergency Power Off Shutdown, make sure there is AC line input power present, the Input Breakers are ON, and the shutdown-signal has been removed from the EPO circuit. Press the front panel "OFF" Button for 2 to 3 seconds (until a beep is heard); this will place the UPS System in "Bypass Mode." Then, press the "ON" Button for one second. The UPS will re-start if AC line power is present.

Pin assignment:



Adding or Replacing Internal Batteries



DANGER!

POTENTIALLY LETHAL HIGH VOLTAGE! FOR QUALIFIED ELECTRICIANS ONLY!
Follow all safety precautions in the Safety section before adding or replacing internal batteries.



DANGER!

DO NOT REMOVE BATTERY SLEEVE!

Do not remove the plastic sleeve covering the battery strings. The sleeve is designed to prevent accidental contact with the terminals on the individual batteries. Contact with the terminals will create a potential for serious injury or death from lethal high voltage. Do not allow tools or other metal objects to come in contact with the terminals.

CAUTION!

BATTERY PACKS ARE HEAVY!

Use assistants as needed.

WARNING!

CHECK BATTERY PACK VOLTAGE BEFORE COMPLETING INSTALLATION

Do not install battery packs with DC voltages outside the acceptable range. (They may compromise battery backup capabilities).

NOTE!

Each battery pack consists of two strings of batteries: one string with a **BLACK** cable and one string with a **RED** cable.

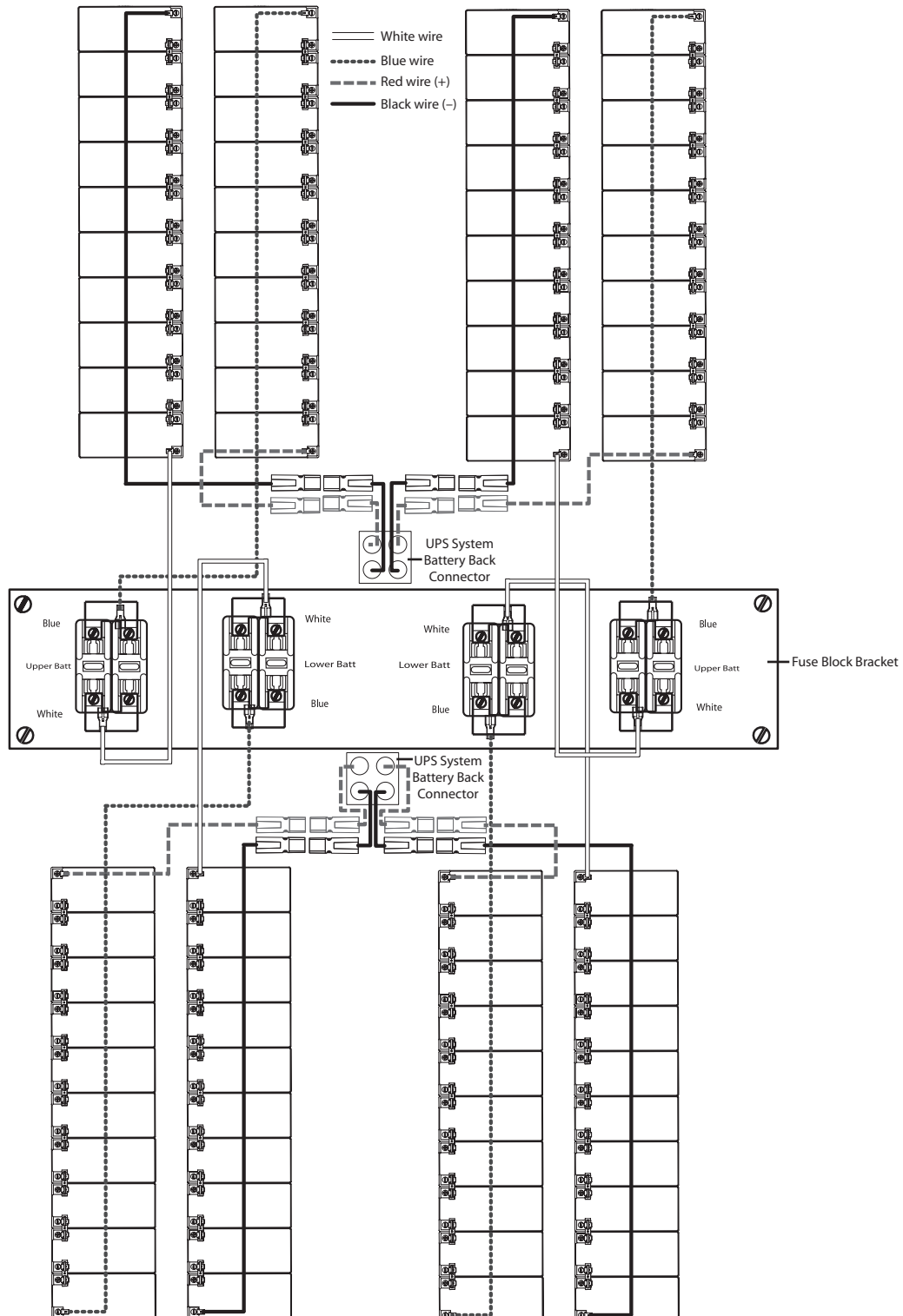
The batteries are designed for hot-swap replacement, which allows connected equipment to continually receive AC mains power (but not battery backup support in the event of a blackout) during the battery installation procedure. See "Operation of Manual Bypass Switch" in the Operation section. Although the batteries can be hot-swapped, qualified service personnel may want to completely turn the UPS off during battery installation. See "Turning the UPS Off" in the Operation section.

Internal battery packs must be replaced by equivalent batteries available from Tripp Lite. Adding battery packs will increase recharge time. Individual models may vary slightly from diagrams.

Adding or Replacing Internal Batteries *(continued)*

INTERNAL BATTERY PACK WIRING DIAGRAM

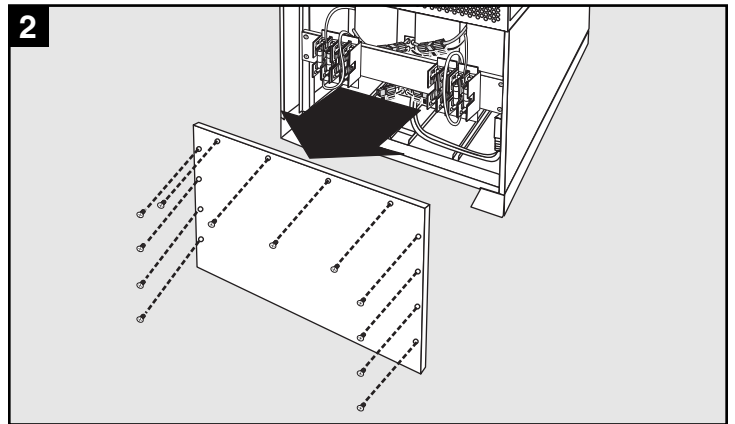
Qualified service personnel should familiarize themselves with the battery pack wiring diagram prior to adding or replacing batteries. The battery module can accept up to four battery packs (each pack consisting of two strings). The diagram shows all four battery packs connected for illustrative purposes only. The actual number of batteries shipped with the UPS System varies depending on model number.



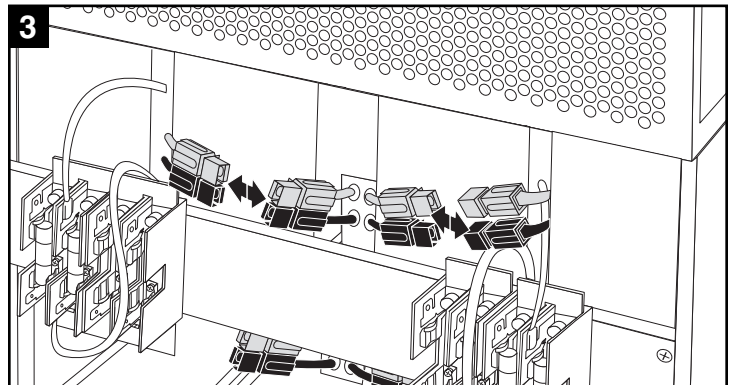
Adding or Replacing Internal Batteries *(continued)*

1 Place the UPS System in Bypass Mode or completely turn it off, depending on preference. See “Operation of Manual Bypass Switch” or “Turning the UPS Off” in the Operation section.

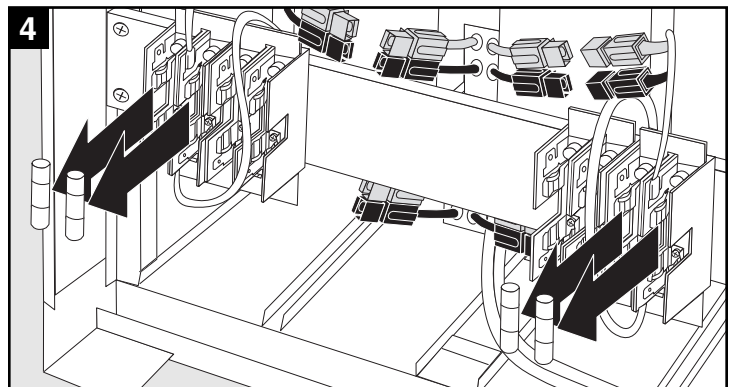
2 Remove battery access panel, located on the FRONT of the UPS system.



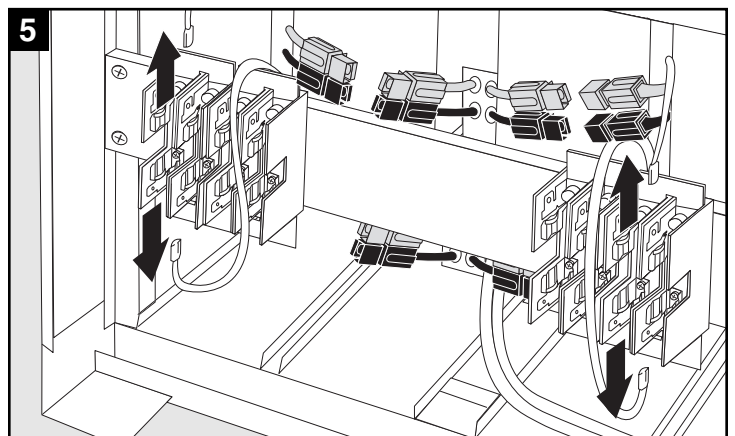
3 Disconnect the **RED** and **BLACK** cables attached to each internal battery pack.



4 Remove the battery cartridge fuses from each fuse block. Save the fuses.



5 Disconnect the **BLUE** and **WHITE** jumper cables attached to each fuse block.

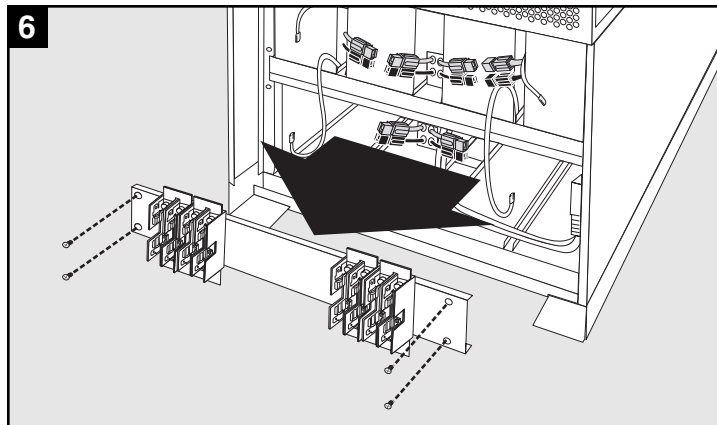


CAUTION!

When disconnecting the jumper cables, pull them straight away from the fuse block with even force. Do not wiggle them side-to-side, as this may damage the connector.

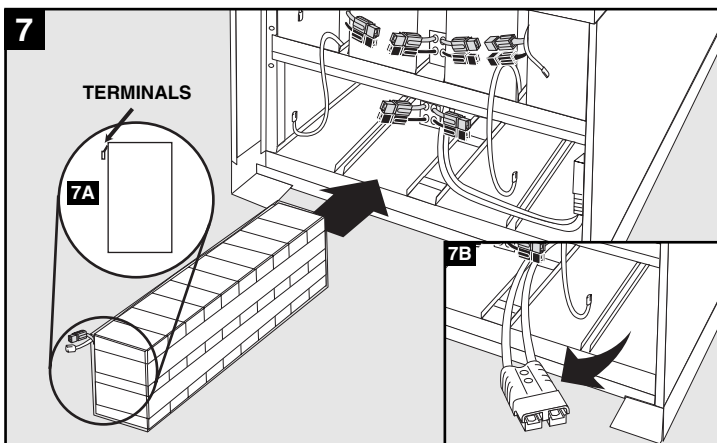
Adding or Replacing Internal Batteries *(continued)*

- 6** Remove the fuse block bracket.

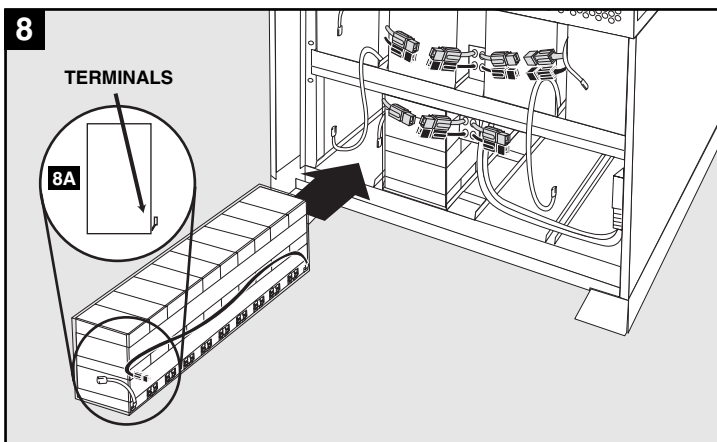


- 7** Slide the battery string with the **RED** cable into an empty slot within the battery compartment as shown. Make sure that the string is oriented as shown in the diagram **7A**.

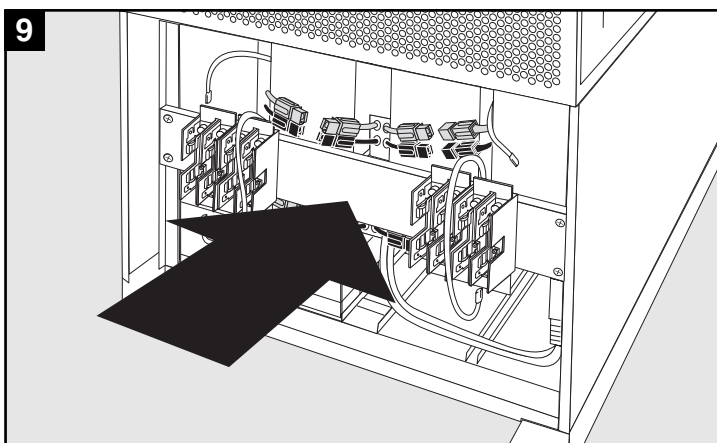
*NOTE: If the auxiliary battery connector is in the way, remove its mounting screw and position the cable to allow adequate room to add the battery strings **7B**.*



- 8** Slide the battery string with the **BLACK** cable next to it (on the left) in the empty slot as shown. Make sure that the string is oriented as shown in the diagram **8A**.

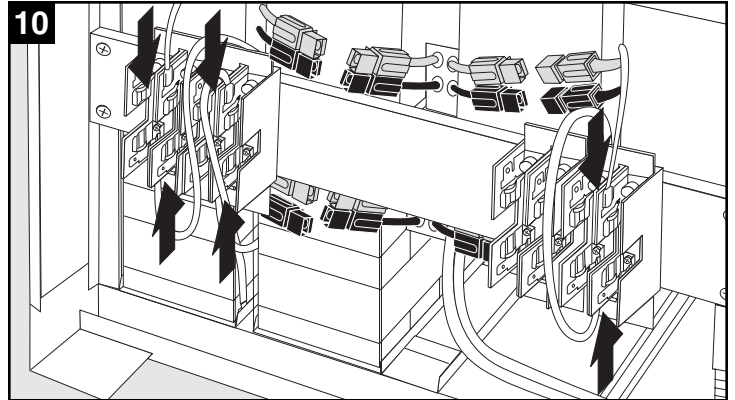


- 9** Replace the fuse block bracket. Make sure printing on bracket is oriented so it is readable.

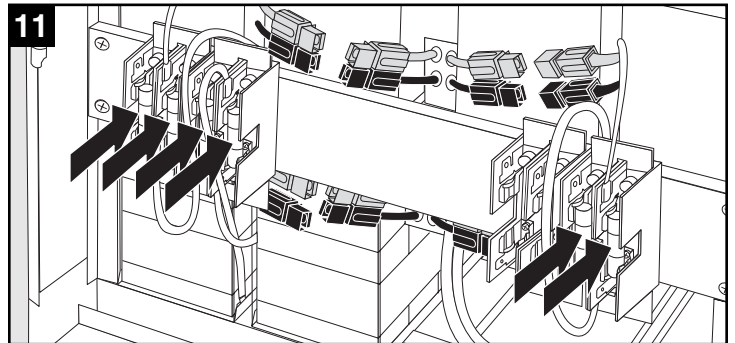


Adding or Replacing Internal Batteries *(continued)*

- 10** Connect the **BLUE** and **WHITE** jumper cables on each internal battery pack to its corresponding fuse block. See printing next to fuse block to locate the correct fuse block for each cable.



- 11** Insert the battery cartridge fuses into each fuse block. The fuses are identical, and can be inserted into any of the blocks. Make sure that the fuses are firmly snapped into place.



DANGER!

BATTERY CARTRIDGE FUSES MUST BE INSERTED LAST DUE TO THE DANGER OF POTENTIAL ARCING OF CONNECTORS.

FUSE REPLACEMENT

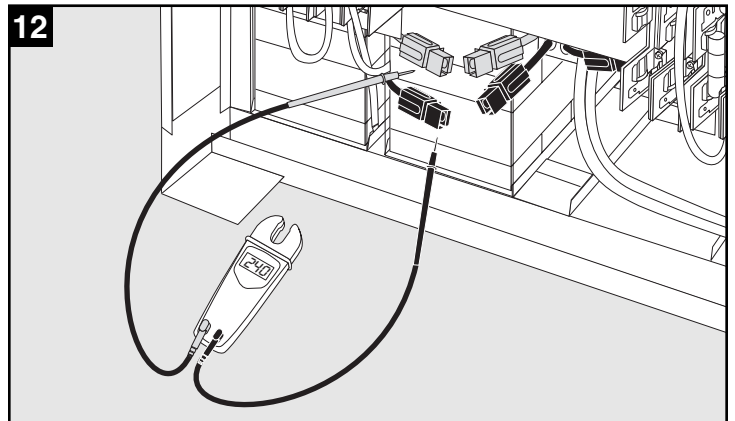
The fuses protect against short circuit damage. If a heavy overload or short circuit is encountered, a fuse will blow. A battery pack with a blown fuse will not deliver any output voltage to the UPS system.



DANGER!

The fuses must be replaced by a qualified electrician. To reduce the risk of fire, replace only with fuses of the same type or rating (UL-recognized 30A 600VDC rated cartridge fuses).

- 12** Use a voltmeter (user-supplied) to test the voltage of the battery pack. Observe proper polarity: connect the voltmeter's **BLACK** probe to the battery pack's **BLACK** connector; connect the voltmeter's **RED** probe to the battery pack's **RED** connector. To get a proper reading, make sure the voltmeter's probes touch the metal contacts inside the battery pack's connectors. **The battery pack's Acceptable DC Voltage Range is between 220 and 280V DC.** If several attempts at voltmeter tests yield results outside this range, contact Tripp Lite for assistance in determining the possible causes of the incorrect voltage reading.



Adding or Replacing Internal Batteries *(continued)*

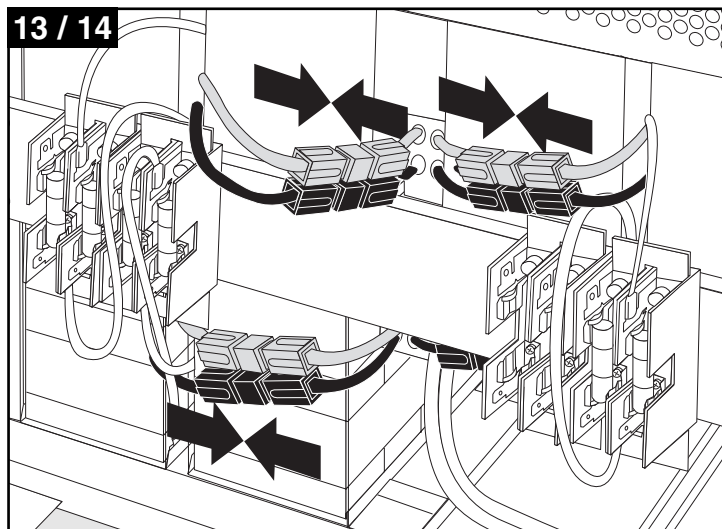


WARNING!

OBSERVE PROPER POLARITY!

Connect **BLACK-to-BLACK** and **RED-to-RED**. Failure to observe proper polarity will cause permanent damage to the UPS System and create a potential for serious personal injury.

- 13** Connect the **BLACK** cable for each internal battery pack to the nearest **BLACK** connector located inside the UPS system's battery module.
- 14** Connect the **RED** cable for each internal battery pack to the nearest **RED** connector located inside the UPS system's battery module.
- 15** Replace the battery access panel.
- 16** Return the UPS System to Normal Mode or completely turn it on, depending on the procedure you followed in step 1. See "Operation of Manual Bypass Switch" or "Turning the UPS On" in the Operation section.



Service

Your SmartOnline 3-Phase UPS System is covered by the limited warranty described below. Extended warranty (2-, 3- and 4-year) and start-up service programs are available. For more information, call Tripp Lite Customer Service at (773) 869-1234.

Warranty & Warranty Registration

3-Phase UPS System Limited Warranty

Seller warrants this product, if used in accordance with all applicable instructions as verified by Tripp Lite's "Start-up" service, to be free from original defects in material and workmanship for a period of one year (inside USA and Canada) from the date of start-up. If the product should prove defective in material or workmanship within that period, Seller will repair or replace the defective parts without charge for labor or parts. If the product was not started-up by authorized Tripp Lite service, replacement parts will be provided but labor charges will apply based on published Tripp Lite Time and Material Rates. Tripp Lite will assign to you any warranties provided by the manufacturers of components of the Tripp Lite product. Tripp Lite makes no representations as to the extent of these warranties and assumes no responsibility for warranties of these components. Service under this Warranty can only be obtained by contacting: Tripp Lite Customer Service; 1111 W. 35th Street; Chicago IL 60609; (773) 869-1234.

THIS WARRANTY DOES NOT APPLY TO NORMAL WEAR OR TO DAMAGE RESULTING FROM ACCIDENT, IMPROPER INSTALLATION, MISUSE, ABUSE OR NEGLIGENCE. SELLER MAKES NO EXPRESS WARRANTIES OTHER THAN THE WARRANTY EXPRESSLY SET FORTH HEREIN. EXCEPT TO THE EXTENT PROHIBITED BY APPLICABLE LAW, ALL IMPLIED WARRANTIES, INCLUDING ALL WARRANTIES OF MERCHANTABILITY OR FITNESS, ARE LIMITED IN DURATION TO THE WARRANTY PERIOD SET FORTH ABOVE; AND THIS WARRANTY EXPRESSLY EXCLUDES ALL INCIDENTAL AND CONSEQUENTIAL DAMAGES. (Some states do not allow limitations on how long an implied warranty lasts, and some states do not allow the exclusion or limitation of incidental or consequential damages, so the above limitations or exclusions may not apply to you. This Warranty gives you specific legal rights, and you may have other rights which vary from jurisdiction to jurisdiction).

WARRANTY REGISTRATION

Visit www.tripplite.com/warranty today to register the warranty for your new Tripp Lite product. You'll be automatically entered into a drawing for a chance to win a FREE Tripp Lite product!*

* No purchase necessary. Void where prohibited. Some restrictions apply. See website for details.

Specifications

Model: SU20K3/3

Input	
Input Voltage	120/208V AC, 3 ϕ , 4 Wire (plus ground), wye
Input Frequency	60 Hz \pm 3 Hz
Voltage Correction Range	88-144/166-250V AC
Input Current (Per Phase, On-Line)	60A
Inrush Current	<300A
Power Factor (Full Load)	>0.95
Efficiency (Full Load/On-Line)	>89%
Circuit Breaker	200A (3p)
Input Bypass Circuit Breaker	200A (3p)

Output	
VA	20000
Watts (Power Factor: 0.8)	16000
Waveform (On-Line)	Sinewave
Waveform (On-Battery)	Sinewave
Output Voltage (RMS)	120/208V AC, 3 ϕ , 4 Wire (plus ground), wye
Output Frequency	60 Hz (\pm 0.1 Hz on battery)
Voltage Regulation	\pm 2%
Max. Harmonic Distortion (Non-Linear Full Load)	<5%
Overload Capabilities	\leq 102% (continuous), 102%~125% (1 min.), 125%~150% (30 sec.), \geq 150% (2 sec.)
Short Circuit Capability	\geq 167A
Crest Factor	3:1

Battery	
Battery Type	Sealed, Lead Acid, 240V DC, 9AH
Battery Pack Quantity	Two Packs (20 12V DC Batteries per pack)
Protection	Four UL-recognized 30A 600VDC rated cartridge fuses (two per battery pack) and fuse block (1 per battery pack)

Typical Backup Time (Half Load) 17 min. +

Typical Backup Time (Full Load) 5 min. +

Operation	
On-Line Transfer Time (Line to Battery, Battery to Line)	0 ms
Audible Noise (Full Load @ 1 meter)	<65 dBA

Indicators	
Includes an LCD Display and LEDs (AC Line In, Bypass Line In, AC to DC, DC to AC, AC Output, Battery Back-Up, Bypass).	

Communications	
Includes an RS-232 DB9 female connector, an AS-400 DB9 female connector, a dry contact DB9 female connector and an accessory slot.	

Connections	
Input Terminal Block	100A
Output Terminal Block	100A

Physical Specifications	
Unit Dimensions (H x W x D)	35.3 x 19.3 x 36 in.
Unit Weight	520 lb.
Shipping Dimensions (HxWxD)	43 x 28 x 44.5 in.
Shipping Weight	609 lb.

Model: SU20K3/3XR5

Input	
Input Voltage	120/208V AC, 3 ϕ , 4 Wire (plus ground), wye
Input Frequency	60 Hz \pm 3 Hz
Voltage Correction Range	88-144/166-250V AC
Input Current (Per Phase, On-Line)	60A
Inrush Current	<300A
Power Factor (Full Load)	>0.95
Efficiency (Full Load/On-Line)	>89%
Circuit Breaker	200A (3p)
Input Bypass Circuit Breaker	200A (3p)

Output	
VA	20000
Watts (Power Factor: 0.8)	16000
Waveform (On-Line)	Sinewave
Waveform (On-Battery)	Sinewave
Output Voltage (RMS)	120/208V AC, 3 ϕ , 4 Wire (plus ground), wye
Output Frequency	60 Hz (\pm 0.1 Hz on battery)
Voltage Regulation	\pm 2%
Max. Harmonic Distortion (Non-Linear Full Load)	<5%
Overload Capabilities	\leq 102% (continuous), 102%~125% (1 min.), 125%~150% (30 sec.), \geq 150% (2 sec.)
Short Circuit Capability	\geq 167A
Crest Factor	3:1

Battery	
Battery Type	Sealed, Lead Acid, 240V DC, 9AH
Battery Pack Quantity	Five Packs (20 12V DC Batteries per pack)
Protection	Ten UL-recognized 30A 600VDC rated cartridge fuses (two per battery pack) and fuse block (1 per battery pack)

Typical Backup Time (Half Load) 42 min. +

Typical Backup Time (Full Load) 17 min. +

Operation	
On-Line Transfer Time (Line to Battery, Battery to Line)	0 ms
Audible Noise (Full Load @ 1 meter)	<65 dBA

Indicators	
Includes an LCD Display and LEDs (AC Line In, Bypass Line In, AC to DC, DC to AC, AC Output, Battery Back-Up, Bypass).	

Communications	
Includes an RS-232 DB9 female connector, an AS-400 DB9 female connector, a dry contact DB9 female connector and an accessory slot.	

Connections	
Input Terminal Block	100A
Output Terminal Block	100A

Physical Specifications	
Unit Dimensions (H x W x D)	48.5 x 19.3 x 36 in.
Unit Weight	935 lb.
Shipping Dimensions (HxWxD)	61.5 x 31 x 44.5
Shipping Weight	1152 lb.

+ Backup times are expandable with additional Battery Packs, sold separately. The policy of Tripp Lite is one of continuous improvement. Specifications are subject to change without notice.

Specifications *(continued)*

Model: SU30K3/3

Input	
Input Voltage	120/208V AC, 3 ϕ , 4 Wire (plus ground), wye
Input Frequency	60 Hz \pm 3 Hz
Voltage Correction Range	88-144/166-250V AC
Input Current (Per Phase, On-Line)	90A
Inrush Current	<300A
Power Factor (Full Load)	>0.95
Efficiency (Full Load/On-Line)	>89%
Circuit Breaker	200A (3p)
Input Bypass Circuit Breaker	200A (3p)

Output	
VA	30000
Watts (Power Factor: 0.8)	24000
Waveform (On-Line)	Sinewave
Waveform (On-Battery)	Sinewave
Output Voltage (RMS)	120/208V AC, 3 ϕ , 4 Wire (plus ground), wye
Output Frequency	60 Hz (\pm 0.1 Hz on battery)
Voltage Regulation	\pm 2%
Max. Harmonic Distortion (Non-Linear Full Load)	<5%
Overload Capabilities	\leq 102% (continuous), 102%~125% (1 min.), 125%~150% (30 sec.), \geq 150% (2 sec.)
Short Circuit Capability	\geq 250A
Crest Factor	3:1

Battery	
Battery Type	Sealed, Lead Acid, 240V DC, 9AH
Battery Pack Quantity	Three Packs (20 12V DC Batteries per pack)
Protection	Six UL-recognized 30A 600VDC rated cartridge fuses (two per battery pack) and fuse block (1 per battery pack)

Typical Backup Time (Half Load) 13 min. +

Typical Backup Time (Full Load) 5 min. +

Operation	
On-Line Transfer Time (Line to Battery, Battery to Line)	0 ms
Audible Noise (Full Load @ 1 meter)	<65 dBA

Indicators	
Includes an LCD Display and LEDs (AC Line In, Bypass Line In, AC to DC, DC to AC, AC Output, Battery Back-Up, Bypass).	

Communications	
Includes an RS-232 DB9 female connector, an AS-400 DB9 female connector, a dry contact DB9 female connector and an accessory slot.	

Connections	
Input Terminal Block	100A
Output Terminal Block	100A

Physical Specifications	
Unit Dimensions (H x W x D)	35.3 x 19.3 x 36 in.
Unit Weight	662 lb.
Shipping Dimensions (HxWxD)	43 x 28 x 44.5 in.
Shipping Weight	750 lb.

+ Backup times are expandable with additional Battery Packs, sold separately. The policy of Tripp Lite is one of continuous improvement. Specifications are subject to change without notice.

Regulatory Compliance Identification Numbers

For the purpose of regulatory compliance certifications and identification, your Tripp Lite product has been assigned a unique series number. The series number can be found on the product nameplate label, along with all required approval markings and information. When requesting compliance information for this product, always refer to the series number. The series number should not be confused with the marking name or model number of the product.

FCC Specifications for Models with FCC Approval:

This device complies with part 15 of the FCC Rules. Operation is subject to the following two conditions: (1) This device may not cause harmful interference, and (2) this device must accept any interference received, including interference that may cause undesired operation. This equipment has been tested and found to comply with the limits for a Class A digital device, pursuant to part 15 of the FCC Rules. These limits are designed to provide reasonable protection against harmful interference when the equipment is operated in a commercial environment. This equipment generates, uses, and can radiate radio frequency energy and, if not installed and used in accordance with the instruction manual, may cause harmful interference to radio communications. Operation of this equipment in a residential area is likely to cause harmful interference in which case the user will be required to correct the interference at his own expense. The user must use shielded cables and connectors with this product. Any changes or modifications to this product not expressly approved by the party responsible for compliance could void the user's authority to operate the equipment.

Model: SU30K3/3XR5

Input	
Input Voltage	120/208V AC, 3 ϕ , 4 Wire (plus ground), wye
Input Frequency	60 Hz \pm 3 Hz
Voltage Correction Range	88-144/166-250V AC
Input Current (Per Phase, On-Line)	90A
Inrush Current	<300A
Power Factor (Full Load)	>0.95
Efficiency (Full Load/On-Line)	>89%
Circuit Breaker	200A (3p)
Input Bypass Circuit Breaker	200A (3p)

Output	
VA	30000
Watts (Power Factor: 0.8)	24000
Waveform (On-Line)	Sinewave
Waveform (On-Battery)	Sinewave
Output Voltage (RMS)	120/208V AC, 3 ϕ , 4 Wire (plus ground), wye
Output Frequency	60 Hz (\pm 0.1 Hz on battery)
Voltage Regulation	\pm 2%
Max. Harmonic Distortion (Non-Linear Full Load)	<5%
Overload Capabilities	\leq 102% (continuous), 102%~125% (1 min.), 125%~150% (30 sec.), \geq 150% (2 sec.)
Short Circuit Capability	\geq 250A
Crest Factor	3:1

Battery	
Battery Type	Sealed, Lead Acid, 240V DC, 9AH
Battery Pack Quantity	Five Packs (20 12V DC Batteries per pack)
Protection	Ten UL-recognized 30A 600VDC rated cartridge fuses (two per battery pack) and fuse block (1 per battery pack)

Typical Backup Time (Half Load) 25 min. +

Typical Backup Time (Full Load) 11 min. +

Operation	
On-Line Transfer Time (Line to Battery, Battery to Line)	0 ms
Audible Noise (Full Load @ 1 meter)	<65 dBA

Indicators	
Includes an LCD Display and LEDs (AC Line In, Bypass Line In, AC to DC, DC to AC, AC Output, Battery Back-Up, Bypass).	

Communications	
Includes an RS-232 DB9 female connector, an AS-400 DB9 female connector, a dry contact DB9 female connector and an accessory slot.	

Connections	
Input Terminal Block	100A
Output Terminal Block	100A

Physical Specifications	
Unit Dimensions (H x W x D)	48.5 x 19.3 x 36 in.
Unit Weight	935 lb.
Shipping Dimensions (HxWxD)	61.5 x 31 x 44.5 in.
Shipping Weight	1152 lb.

Manual del Propietario

Sistemas UPS SmartOnline™ Trifásicos de 20kVA y 30kVA Inteligente Genuino en Línea

Voltaje de Entrada/Salida: 120/208V CA, 3ø, 4 hilos (más tierra), wye



Advertencias de Seguridad Importantes **20**

Panel Frontal **21**

Panel Trasero **23**

Instalación **24**

Operación (Condiciones Normales) **25**

Operación (Condiciones Especiales) **26**

Comunicaciones **28**

Añadiendo o Reemplazando Las Baterías Internas **29**

Servicio **35**

Garantía **35**

Especificaciones **36**

English **1**

Français **38**



1111 W. 35th Street • Chicago, IL 60609 USA
(773) 869-1234 • www.tripplite.com

Advertencias de Seguridad Importantes



GUARDE ESTAS INSTRUCCIONES. Este Manual contiene instrucciones y advertencias importantes que se deberán seguir durante la instalación y mantenimiento de todos los sistemas UPS SmartOnline Trifásicos de 20kVA y 30kVA de Tripp Lite.

Advertencias sobre la colocación y ubicación del UPS

- Instale su UPS en un ambiente controlado.
- Instale su UPS en interiores, lejos del calor, luz solar directa, polvo y exceso de humedad y otros contaminantes conductivos.
- Instale su UPS en un área estructuralmente firme y resistente y que esté nivelada. Su UPS es extremadamente pesado, tenga cuidado cuando mueva y levante la unidad.
- Opere su UPS únicamente a temperaturas interiores entre 32° F y 104° F (entre 0° C y 40° C). Para obtener mejores resultados mantenga las temperaturas interiores entre 62° F y 84° F (entre 17° C y 29° C).
- Deje suficiente espacio alrededor de todos los lados del UPS para obtener una ventilación adecuada.
- No instale el UPS cerca de medios magnéticos de almacenaje de información ya que esto puede provocar la corrupción de la información
- El sistema UPS está diseñado para soportar un nivel de carga máxima de un (1) módulo de potencia y hasta dos (2) módulos de baterías totalmente cargados. El no observar este nivel de carga máxima (al apilar más de un módulo de potencia y/o más de dos módulos de batería) causará daño permanente al sistema UPS y puede potencialmente causar serias lesiones personales.
- Las ruedas del sistema UPS están diseñadas únicamente ligeros ajustes dentro del área de instalación final, no están diseñadas para mover al UPS sobre distancias considerables. Las ruedas no están diseñadas par brindar un soporte a largo plazo al sistema UPS después de la instalación final. Es necesario instalarlo con los soportes para montaje.

Advertencias para la conexión del UPS

- El suministro de energía eléctrica para esta unidad debe ser trifásica conforme a la placa del nombre del equipo. Debe también estar conectada a tierra apropiadamente de acuerdo a los reglamentos locales de cableado eléctrico.

Equipment Connection Warnings

- No use los sistemas UPS de Tripp Lite en aplicaciones de soporte de vida en las que una falla o mal funcionamiento pueda causar una falla una alteración importante en el funcionamiento del dispositivo de soporte de vida.
- El sistema UPS contiene su propia fuente de energía (Batería). Las terminales de salida pueden estar vivas aun cuando el UPS no esté conectado a una fuente de energía de CA.

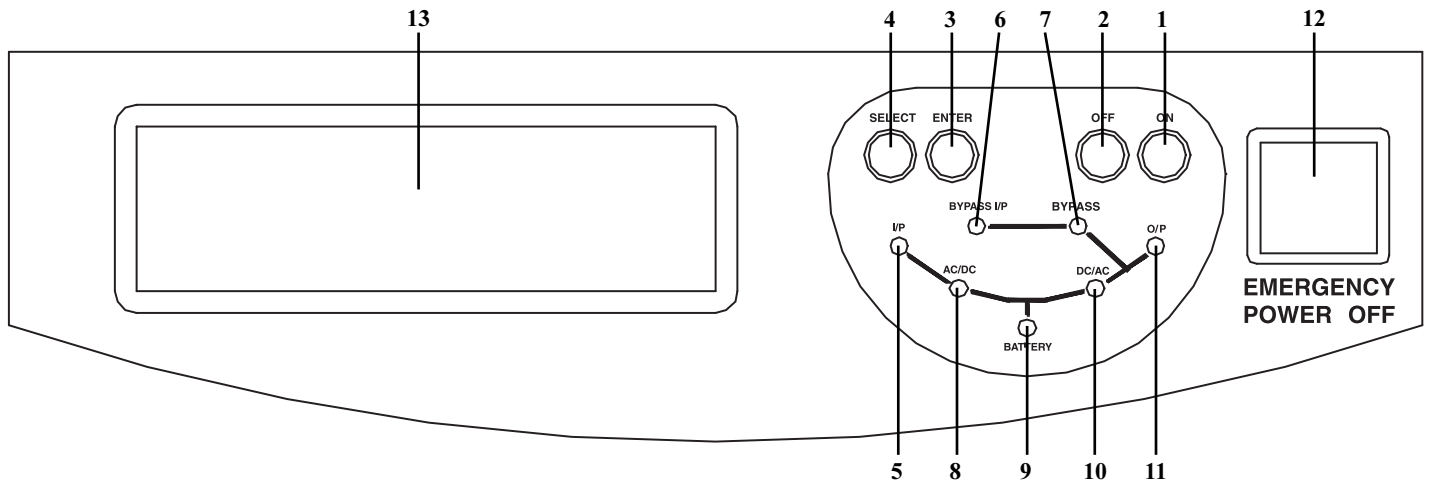
Advertencias Sobre la Batería

- Su UPS no requiere mantenimiento de rutina. No abra el módulo de potencia del UPS por ningún motivo, no hay partes útiles para el usuario en el interior. Debido al alto riesgo de una descarga eléctrica, únicamente electricistas calificados deberán abrir el módulo de la batería.
- Debido a que las baterías presenta un riesgo de descarga eléctrica y quemaduras derivadas el alta corriente de un corto circuito, las baterías deben ser remplazadas por personal de servicio capacitado que observe las debidas precauciones. Quítese relojes, anillos, y cualquier otro objeto de metal. Use herramientas con asas/mangos aislantes. Utilice guantes y botas de hule. No deje herramientas o partes de metal arriba de la batería. No puentee o haga corto circuito con las terminales de la batería con ningún objeto.
- No arroje las baterías al fuego. Las baterías del UPS son reciclables. Refiérase a las reglamentaciones locales acerca de cómo deshacerse de las baterías o únicamente en los Estados Unidos, refiérase a estas fuentes para información del reciclaje: 1-800-SAV-LEAD (1-800-728-5323), 1-800-8-BATTERY (1-800-8-228-8379), o www.rbr.com.
- Las baterías internas deben ser remplazadas por baterías equivalentes disponibles en Tripp Lite.
- No opere su UPS sin baterías.
- Los fusibles de la batería deberán ser remplazados únicamente por personal autorizado de fábrica. Los fusible quemados deberán ser remplazados únicamente por fusibles del mismo número y tipo.
- Existen voltajes potencialmente letales dentro de esta unidad en tanto la suministro de la batería este conectado. El servicio y reparación deberá ser hecho únicamente por personal capacitado. Durante cualquier trabajo de servicio el UPS deberá apagarse o puesto en derivación manual.
- No conecte o desconecte el modulo de la batería mientras el UPS este operando con el suministro de la batería o cuando la unidad no esté en modo de derivación.

Panel Frontal

Familiarícese con la localización y funciones de las características de su sistema UPS antes de instalarlo y operarlo.

PANEL DE CONTROL



1. **“ON” Button [Botón de Encendido]:** Este botón enciende el inversor del sistema UPS.
2. **“OFF” Button [Botón de Apagado]:** Este botón apaga el inversor del sistema UPS.

NOTA: Si el sistema UPS permanece apagado por un periodo de tiempo, deberá encenderse periódicamente para permitir que las baterías internas se recarguen. El sistema UPS deberá encenderse y las baterías internas deberán recargarse al menos por un periodo ininterrumpido de 24 horas cada 3 meses. El no proporcionar periódicamente un tiempo de recarga puede causar un daño irreversible a la batería.

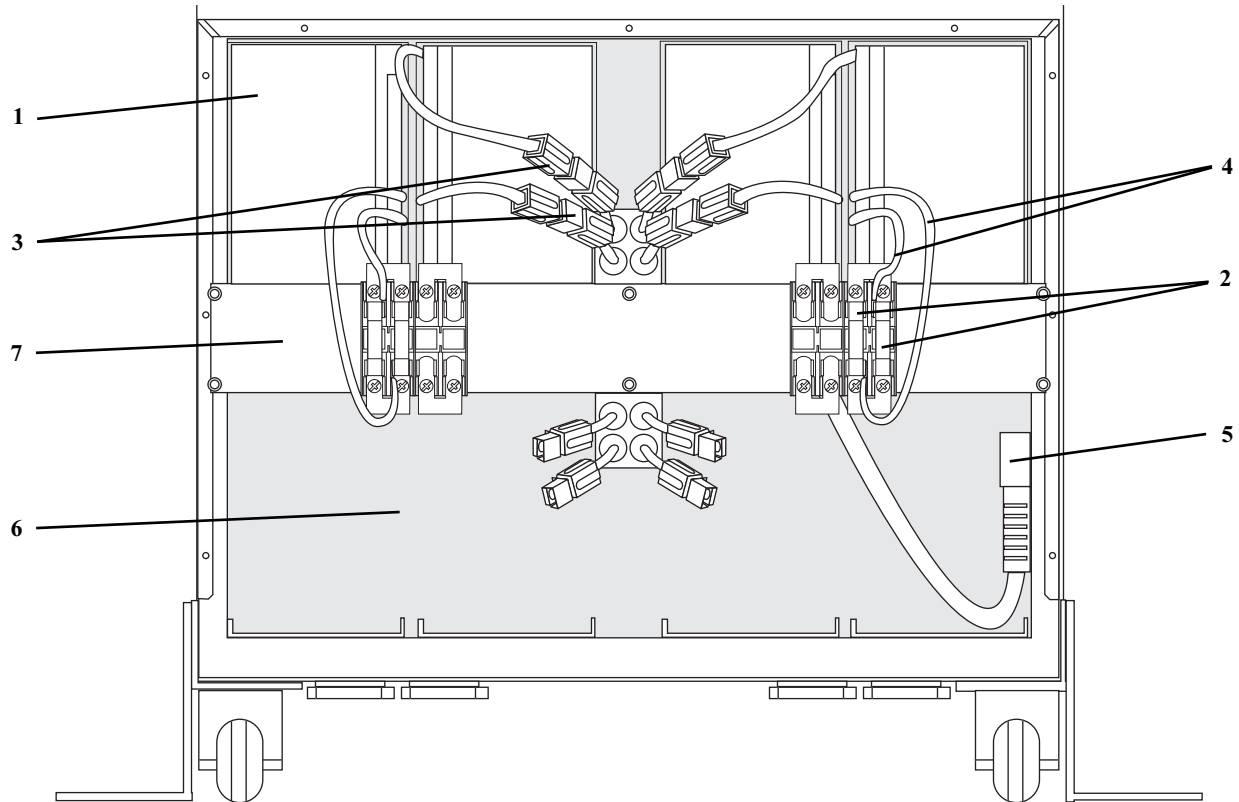
3. **“ENTER” Button [Botón Intro]:** Este botón cambia o selecciona las variables mostradas en la pantalla LCD. Simultáneamente presione el botón “ENTER” [Intro] y el botón “SELECT” [Seleccionar] y manténgalos así por ¼ de segundo para silenciar la alarma audible.
4. **“SELECT” Button [Botón Seleccionar]:** Este botón le permite recorrer las diferentes lecturas de energía en la pantalla LCD al presionar este botón momentáneamente. Simultáneamente presione el botón “ENTER” [Intro] y el botón “SELECT” [Seleccionar] y manténgalos así por ¼ de segundo para silenciar la alarma audible.
5. **“I/P” (Input) LED [LED I/P Entrada]:** Esta luz verde se iluminará constantemente para indicar que existe suministro de CA presente.
6. **“BYPASS I/P” (Bypass Input) LED [LED Entrada de Derivación]:** Esta luz verde se iluminará constantemente para indicar que existe suministro de CA presente a la entrada de la derivación.
7. **“BYPASS” LED [LED de Derivación]:** Esta Luz amarilla destellará cuando el UPS este entregando la energía principal filtrada sin utilizar su convertidor o inversor. El equipo conectado no recibirá energía de la batería en el caso de un apagón.
8. **“AC/DC” (Converter) LED [LED (convertidor) CA/CD]:** Esta luz verde se iluminará constantemente para indicar que el convertidor CA/CD del UPS está activado.
9. **“BATTERY” LED [LED Batería]:** Esta luz roja destellará cuando el UPS está descargando la batería para suministrar CA al equipo conectado. Sonará una alarma que puede ser silenciada al presionar simultáneamente los botones “ENTER” y “SELECT” por ¼ de segundo. La alarma será silenciada pero el LED permanecerá iluminado.
10. **“DC/AC” (Inverter) LED [LED (inversor) CD/CA]:** Esta luz verde se iluminará constantemente para indicar que el inversor CD/CA del UPS está activado.
11. **“O/P” (Output) LED [LED O/P (Output)]:** Esta luz verde se iluminará constantemente para indicar que su UPS está suministrando CA al equipo conectado.
12. **“EMERGENCY POWER OFF” Button [Botón de Apagado de Emergencia]:** Este botón apaga la salida del UPS y deshabilita la salida de la derivación. Después de presionar este botón permanecerá sumido hasta que sea restablecido. Para restablecer el sistema UPS y restaurar la salida, presione el botón “Emergency Power Off” una vez y éste saldrá de inmediato nuevamente. Si los interruptores de entrada están apagados enciéndalos. Presione el botón “OFF” por 3 segundos (hasta que escuche un pitido); esto pondrá al UPS en “Bypass Mode.” [Modo de Derivación]. Entonces, presione el botón “ON” por un segundo. El UPS se encenderá si hay CA en la línea.
13. **Pantalla LCD:** Esta pantalla de Matriz de Puntos iluminada, por atrás, muestra un amplio rango de condiciones de operación e información de diagnóstico. Se iluminará después de que usted haya completado la instalación y arranque y después de que el botón “ON” sea oprimido.

Nota: La luz de iluminación de la pantalla LCD se apagará 10 minutos después de que alguno de los siguientes botones sean presionados: “SELECT”, “ENTER” u “ON”. Para volver a encender la luz de la pantalla, presione momentáneamente cualquiera de los siguientes botones del panel frontal: “SELECT”, “ENTER” u “ON”.

Ventiladores de Extracción (no se muestran): Estos enfrían y ventilan el interior del UPS.

PANEL DE ACCESO A LA BATERIA (TAPA REMOVIDA)

Modelos individuales pueden variar ligeramente de este diagrama.

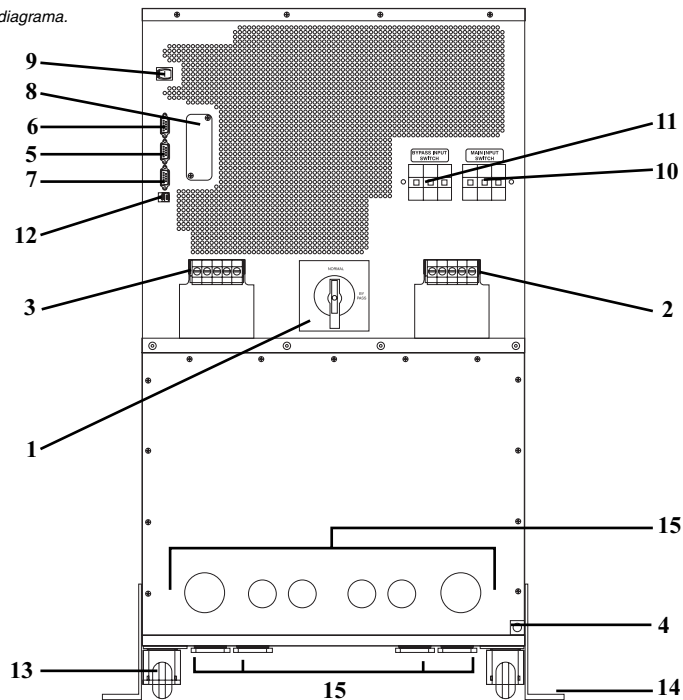


- 1. Módulos de Baterías Internas:** Estos suministran tiempo de respaldo al equipo conectado. Cada módulo consiste de dos líneas (Una positive y una negativa). El número de módulos de baterías incluidos varía dependiendo del número del modelo del UPS. Los módulos de baterías deben ser remplazados por un electricista calificado. Vea la sección “Añadiendo o Remplazando las Baterías Internas” para más detalles.
- 2. Cartuchos de Fusibles de la Batería:** Protegen contra daños por corto circuitos. Si una fuerte sobre carga o corto circuito es encontrada, se quemará un fusible. Un módulo de baterías con un fusible quemado no suministrará ningún voltaje de salida al sistema UPS. Los fusibles deben ser remplazados por un electricista calificado. Vea “Reemplazo de los Fusibles” en la sección “Añadiendo o Remplazando las Baterías Internas” para más detalles.
- 3. Conectores del Módulo de Baterías Internas (Rojo y Negro):** Conectan los módulos de batería internas individuales con todo el sistema de baterías.
- 4. Cables de Puenteo del Módulo de Baterías Internas (Blanco y Azul):** Conectan las líneas del módulo de baterías internas juntas a través del bloque de fusibles.
- 5. Conectores del Sistema de Baterías:** Un conector (interno que no se muestra) conecta el módulo de batería al módulo de potencia. El otro conector (que se muestra) conecta el modulo de batería a un modulo de baterías internas, opcional (Que no se muestra y esta disponible por separado en Tripp Lite). Los conectores del sistema de baterías son utilizados únicamente cuando se aumenta un módulo de baterías internas adicional. El uso de estos conectores es descrito en el manual del propietario incluido en el módulo de baterías adicional.
- 6. Capacidad de Tiempo de Respaldo Extendido:** Ranuras abiertas aceptan módulos de baterías internas adicionales (Disponibles por separado en Tripp Lite) para extender el tiempo de respaldo. El número de ranuras abiertas varía dependiendo del número del modelo del UPS. Todos los modelos aceptan la conexión de un módulo de batería adicional (Disponibles por separado en Tripp Lite) para extender aun más el tiempo de respaldo. Comuníquese con Tripp Lite para mayores detalles.
- 7. Soporte para el Bloque de Fusibles:** Acepta Cartuchos de Fusibles para la Batería.

Panel Trasero

PANEL TRASERO

Modelos individuales pueden variar ligeramente de este diagrama.



- 1. Interruptor de Derivación Manual:** Este cuadrante es usado para poner el UPS en modo "BYPASS" [Derivación], lo cual debe hacerse antes de efectuar cualquier tipo de mantenimiento al UPS con la carga conectada respaldada [(Vea Operación "Condiciones Especiales") para instrucciones paso a paso para entrar "BYPASS" [Derivación]] Mientras este interruptor este en "BYPASS" [Derivación] el equipo conectado recibirá energía principal CA filtrada, pero no recibirá energía de la batería en caso de un apagón.
- 2. Bloque de Terminales de Salida (cubierta removida):** Use estas terminales para conectar su UPS a la energía de entrada CA principal. Desatornille y quite la placa del bloque de terminales para tener acceso.
- 3. Bloque de Terminales de Salida (cubierta removida):** Use estas terminales para conectar su UPS al equipo. Desatornille y quite la placa del bloque de terminales para tener acceso.
- 4. Poste para Tierra:** Conecta a tierra física el sistema UPS. Vea la sección Instalación.
- 5. Puerto para Interfaz AS-400:** Este puerto DB9 hembra conecta su UPS a una interfaz para computadora IBM AS-400 por medio de un cable AS-400. Utiliza comunicaciones AS-400 para reportar el estatus del UPS y las condiciones de la energía. Utilizando este puerto, una computadora IBM AS-400 puede salvar automáticamente archivos abiertos y apagar su sistema operativo durante un apagón. Vea "Comunicaciones" para más detalles.
- 6. Puerto para Interfaz RS-232 "Smart":** Este puerto DB9 hembra conecta su UPS a una estación de trabajo o servidor. Usa comunicaciones RS-232 para reportar las condiciones de la energía y del UPS. Se usa con el software de Tripp Lite y un cable RS-232 para monitorear y administrar la energía de la red y automáticamente salvar archivos abiertos y apagar el equipo durante un apagón. Vea "Comunicaciones" para más detalles.
- 7. Puerto para Interfaz de Contacto Seco:** Este puerto DB9 hembra envía señales de cierre de contacto par indicar estados de falla de la línea o batería baja. Vea "Comunicaciones" para más detalles.
- 8. Ranura para Accesorios:** Remueva esta pequeña tapa del panel y use accesorios opcionales para controlar y monitorear en forma remota su UPS. Comuníquese con el Soporte a Clientes de Tripp Lite para obtener mayor información y una relación de productos SNMP para administración de red y conectividad.
- 9. Interruptor "Battery Start" [Arranque de Batería]:** Este interruptor-momentáneo le permite "arrancar en frío" su UPS y usarlo como una fuente de energía independiente cuando la energía CA del servicio público no está disponible. Este interruptor acciona el inversor CD/CA del UPS. Antes de "arrancar en frío" su UPS asegúrese que esta adecuadamente instalado. Presione y mantenga así el interruptor "Battery Start" y entonces presione el botón "ON" para encender el UPS. Para apagar el UPS después de un "arranque en frío" presione el botón "OFF".
- 10. Interruptor de Entrada Principal:** El Interruptor de Circuitos controla la energía CA de entrada que llega al UPS durante la operación normal.
- 11. Interruptor de Entrada de la Derivación:** El Interruptor de Circuitos controla la energía CA de entrada que llega al UPS durante la operación en "BYPASS" [Derivación].
- 12. Conector para "Emergency Power OFF" (EPO)[Apagado de Emergencia] Remoto:** Este enchufe modular le permite efectuar apagados de emergencia remotos. Vea "Comunicaciones" para más detalles.
- 13. Ruedas:** Las ruedas están diseñadas únicamente para ligeros ajustes en su colocación en la instalación final y no están diseñadas para mover el Sistema UPS sobre distancias considerables. **NOTA: las ruedas no están diseñadas para brindar un soporte a largo plazo al sistema UPS después de la instalación final. Es necesario colocarlo en los soportes de montaje. Vea la sección Instalación.**
- 14. Soportes de Montaje:** Ayudan a soportar el peso del sistema UPS. **NOTA: Es necesario montar el UPS sobre los soportes de montaje. Vea la sección Instalación.**
- 15. Puntos de Acceso al Hardwire [Instalación Eléctrica Fija]:** Le permite acceso tanto al panel trasero como al panel del fondo para conexiones eléctricas.

Instalación

UBICACIÓN DEL UPS

Mueva su UPS sobre distancias cortas usando sus ruedas. **NOTA: Las ruedas no están diseñadas para brindar soporte a largo plazo al sistema UPS después de la instalación final. Es necesario montarlo sobre soportes de montaje.**

INSTALACION DE LOS SOPORTES DE MONTAJE

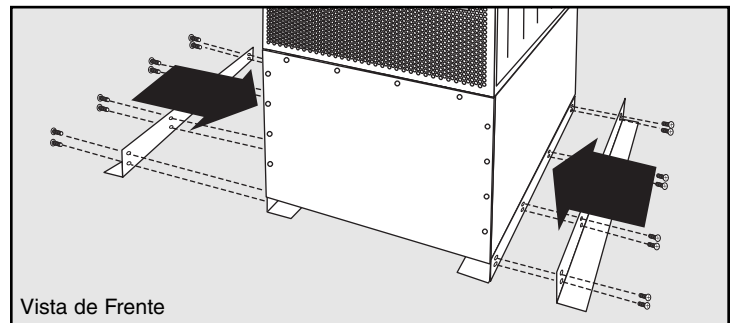


¡PELIGRO!

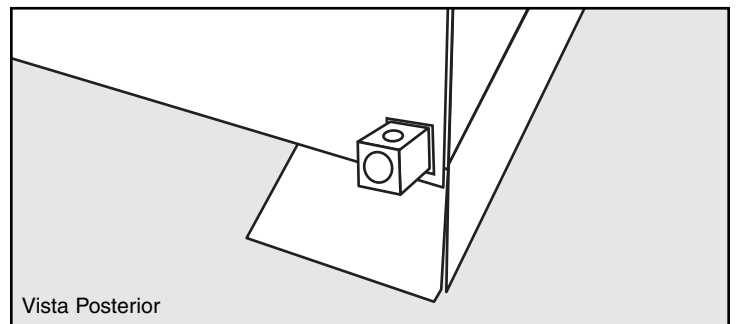
RIESGO DE DAÑO AL PRODUCTO Y LESIONES PERSONALES GRAVES

Las ruedas del Sistema UPS no están diseñadas para proporcionar soporte a largo plazo al sistema UPS después de la instalación final. **ES NECESARIO INSTALARLO SOBRE SOPORTES DE MONTAJE.** Si los soportes de montaje no son instalados las ruedas finalmente fallarán ocasionando que puede dañarse el UPS y causar serias lesiones personales.

Utilizando los tornillos incluidos, instale un soporte de montaje a cada lado del sistema UPS como se muestra. Si se desea, se puede instalar el soporte en el piso, con los accesorios adecuados, suministrados por el usuario.



Vista de Frente



Vista Posterior

CONEXION A TIERRA

Utilizando un cable para tierra 4 AWG, suministrado por el usuario, conecte el poste de tierra del UPS a la tierra física. Apriete la conexión con un torque [Fuerza de Torción] de no menos de 35 pulgadas-libras (3.9 NM) mantenga la conexión a tierra todo el tiempo después de la instalación.

CONEXIONES DE ENTRADA Y SALIDA AL HARDWARE [INSTALACION ELECTRICA FIJA] DEL UPS

En adición a las instrucciones relacionadas abajo, siga todas las advertencias que se encuentran en la sección Seguridad, antes de llevar a cabo cualquier conexión.

- Instale con cable flexible de suficiente longitud para poder mover el UPS durante un servicio fuera del área del equipo que lo rodea (atrás y a los lados).
- Use capuchones (Conteras/Virolas) de plástico para cubrir los cables conectados al UPS y evitar extremos achicharrados por cortos en el bloque de terminales.
- Los conductores neutros deben ser del mismo calibre que el de los de corriente.

SELECCION DE CABLES

Seleccione cables apropiados (Clasificado VW-1, FT-1 o superior) para conectar su UPS al suministro de energía CA y a su equipo.

Modelo de Sistema UPS	Calibre del Cable
20kVA	6 AWG / 14 mm ²
30kVA	4 AWG / 22 mm ²

Longitud Máxima del Cable: 10 m (32.8 pies)

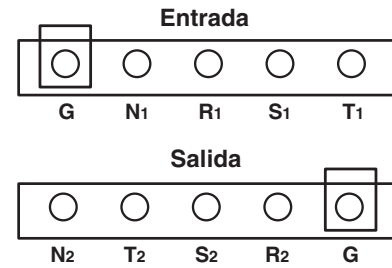
Instalación *(continuación)*

CONEXIÓN DE LOS CABLES

Conecte su cableado a los bloques de terminales de entrada y salida localizados en el panel posterior de su UPS (Vea la figura abajo).

¡PRECAUCION!

Personal calificado deberá seguir los procedimientos prescritos por N.E.C. y otros códigos locales para dispositivos con instalación eléctrica permanente a una fuente de energía del servicio público. Asegúrese que los cables cuenten con cubiertas para cables y estén asegurados con abrazaderas. Apriete las conexiones con una fuerza de torsión de 35 pulgadas-libra. Todo el tiempo observe las regulaciones apropiadas para conexiones de cables [v. gr. National Electrical Code (NEC) en los Estados Unidos] Usar cables de calibre incorrecto puede dañar su equipo y es un riesgo de incendios.



NOTA: cuando es embarcado de fábrica los cables de entrada de la derivación y de la entrada principal están conectados.

CARGA INICIAL DE LA BATERIA

Aunque antes de embarcarse las baterías internas fueron cargadas, permita que las baterías internas sean cargadas ininterrumpidamente por 24 horas después de la instalación inicial.

Operación (Condiciones Normales)

ENCENDIENDO EL UPS

- Asegúrese de que el UPS esté adecuadamente instalado (Vea la sección Instalación) y el Interruptor de Derivación Manual [Manual Bypass Switch] esté colocado en NORMAL.
- Encienda tanto el Interruptor de Entrada de la CA principal como el Interruptor del Circuito de Entrada de la Derivación.
- Si la entrada CA está entregando energía en forma normal dentro del rango seleccionado, su carga conectada se energizará en derivación. Sin embargo, el inversor del UPS todavía no está encendido. Presione el botón "ON" que se encuentra al frente para empezar la operación del inversor.
- Si su entrada CA no está suministrando una entrada de CA en forma normal, tiene la opción de arrancar con la batería (Su batería deberá estar al menos parcialmente cargada para que esta operación tenga éxito). Presione y mantenga así el botón "Battery Start" [Arranque de la batería] y el botón "ON" [Encendido] por tres segundos para arrancar su UPS en modo "ON BATTERY" [Respaldo de la Batería]. Tome en cuenta que algunos equipos electrónicos puede jalar mas amperaje durante el arranque, cuando arranque con la batería, considere reducir la carga en el UPS.
- El UPS llevará a cabo una breve auto prueba y mostrará los resultados en la pantalla LCD. (Vea la sección Auto Prueba para obtener la secuencia de despliegue.) Después de una auto prueba exitosa el UPS suministrará a su carga energía CA del inversor.

APAGANDO EL UPS

- Presione el botón frontal "OFF" [Apagado]. Su carga aun estará energizada. El inversor está ahora apagado, pero su UPS no está completamente desactivado. La pantalla LCD indicará "ON BYPASS" [En derivación].
- Apague el interruptor de entrada principal y el interruptor del circuito de entrada de la derivación. Su carga ya no estará energizada y la pantalla LCD estará oscura.

NOTA: Si el sistema UPS permanece apagado por un período prolongado de tiempo deberá encenderse periódicamente para que las baterías internas se recarguen. El sistema deberá encenderse y las baterías internas deberán recargare por lo menos por un período ininterrumpido de 24 horas cada 3 meses. El no recargar las baterías periódicamente puede causar al as baterías un daño irreversible.

AUTO-PRUEBA

Cuando usted enciende el UPS, éste llevará a cabo una breve auto-prueba. Vea los diagramas de abajo para la secuencia de despliegue.

Secuencia del display cuando hay entrada de CA presente:

SELF TESTING.. [Auto-Prueba]
RECTIFIER OK [Rectificador]
CHARGER OK [Cargador]
BATTERY OK [Batería]
DC TO DC OK [CD a CD]
INVERTER TEST [Prueba del Inversor]

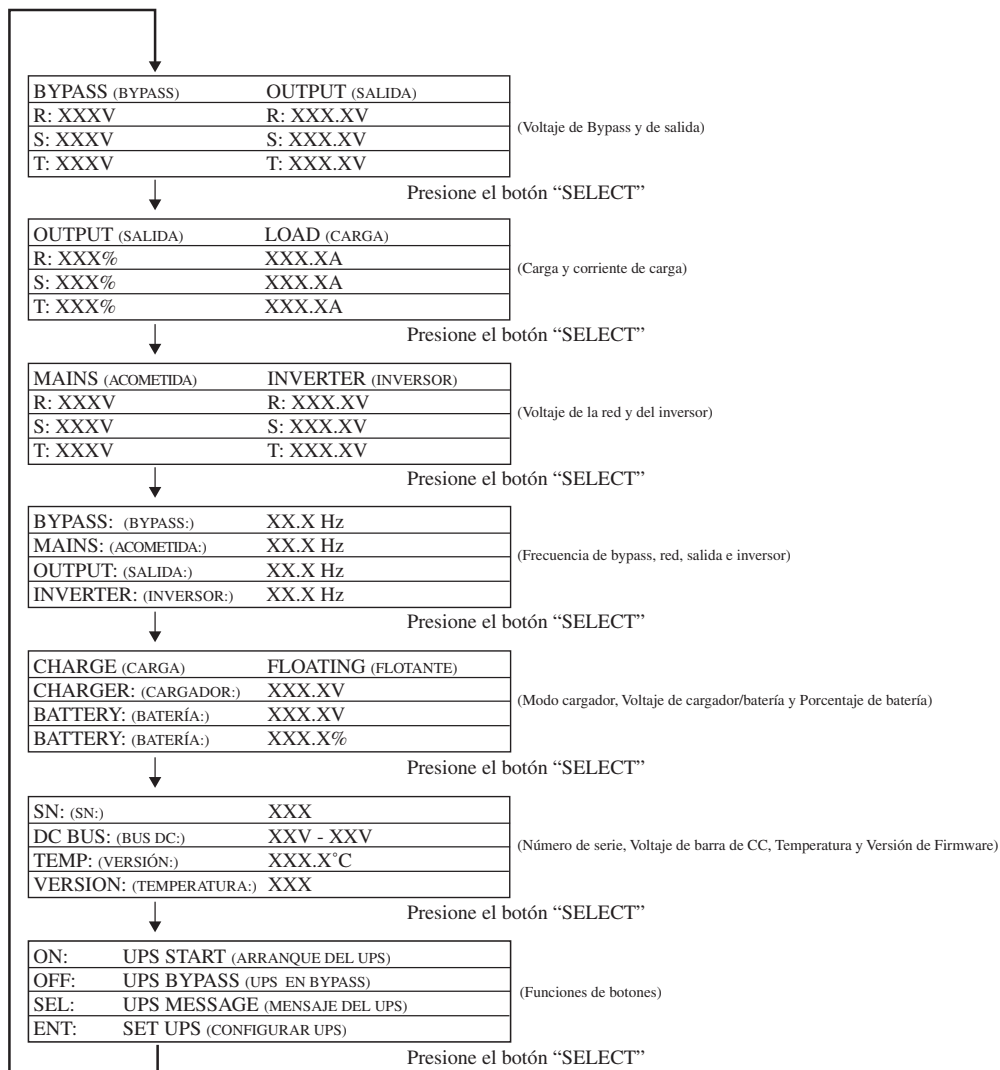
Secuencia del display cuando no hay presencia de entrada de CA:
(posible solo con el Interruptor "Battery Start")

SELF TESTING..[Auto-Prueba]
BATTERY OK [Batería]
DC TO DC OK [CD a CD]
INVERTER TEST [Prueba del Inversor]

Operación (Condiciones Normales) *(continuación)*

BOTON SELECT [SELECCIONAR] DE LA PANTALLA LCD

Presione momentáneamente el botón "SELECT"[Seleccionar] en el panel frontal para navegar por las diferentes lecturas de energía en la Pantalla LCD.



Operación (Condiciones Especiales)

OPERACION EN DERIVACION—VOLTAJE FUERA DE RANGO

Mientras está en modo de derivación, el UPS monitorea el voltaje de entrada, el cual en derivación iguala el voltaje de salida. Si el voltaje de Salida se pase de un rango aceptable (entre un 15% más alto y un 20% más bajo que el nominal), El UPS despliega la condición en la pantalla LCD y deja de suministrar energía de salida a la carga. Si la energía regresa a niveles aceptables, el UPS vuelve a suministrar energía a la carga, y su pantalla LCD reporta que la salida de voltaje estuvo tan alta o tan baja en cierto momento pero ha regresado a los valores nominales.

Condición del Voltaje de la Derivación	Mensaje en la pantalla LCD
>15% Arriba que el Nominal	BYPASS HI NO O/P
>20% Abajo que el Nominal	BYPASS LO NO O/P
Estuvo muy Alto, Ahora en el Nominal	BYPASS WAS HI
Estuvo muy Bajo, Ahora en el Nominal	BYPASS WAS LO

Operación (Condiciones Especiales) *(continuación)*

ADVERTENCIAS DEL INVERSOR ENCENDIDO

Cuando el inversor está encendido, la pantalla LCD puede mostrar cualquiera de las siguientes advertencias:

Condición	Mensaje en la Pantalla LCD
Sobre carga en la Salida del UPS	OVERLOAD 110% [Sobrecarga]
Falla del Cargador del UPS	CHARGER FAILURE [Falla del Cargador]
Frecuencia de Entrada Anormal	FREQUENCY ERROR [Error en la Frecuencia]
Fase de Entrada Anormal	PHASE ABNORMAL! [¡Fase Anormal!]
La Batería Se Está Agotando*	ON BATTERY [Respaldo de la Batería]
La Carga de la Batería Está Casi Exhausta*	BATTERY LOW [Batería Baja]

Durante apagones prolongados, los usuarios deben salvar sus archivos y apagar el equipo conectado.

El mensaje “BATTERY LOW” indica que las baterías del UPS están casi sin energía y el apagado del UPS es inminente.

OPERACION BAJO CIERRE/PARADA

Su UPS se apagará y la pantalla LCD desplegará un mensaje si detecta algún de las siguientes condiciones: Nota: Para todas las condiciones los LEDs “Input”, “Output” y “Bypass” estarán iluminados.

Condición	Mensaje en la Pantalla LCD
Cierre por Sobrecarga	ON BYPASS OVERLOAD 150% SHUTDOWN... VERSION: XXXXXXXX
Corto Circuito en la Salida del UPS	ON BYPASS SHORT CIRCUIT! SHUTDOWN... VERSION: XXXXXXXX
Temperatura Excedida (Sobre Temperatura)	ON BYPASS HIGH TEMP! SHUTDOWN... VERSION: XXXXXXXX
Sobrevoltaje del BUS CD	ON BYPASS DC BUS O.V.P! SHUTDOWN... VERSION: XXXXXXXX
Falla del BUS CD	ON BYPASS DC BUS FAIL! SHUTDOWN... VERSION: XXXXXXXX

Condición	Mensaje en la Pantalla LCD
Falla de la Salida del Inversor R/S/T	ON BYPASS R OUTPUT FAIL! SHUTDOWN... VERSION: XXXXXXXX
Batería Baja	BYPS OFF NO O/P LOW BATTERY! SHUTDOWN... VERSION: XXXXXXXX
Cierre Remoto	BYPS OFF NO O/P REMOTE SHUTDOWN SHUTDOWN... VERSION: XXXXXXXX
Parada de Emergencia	BYPS OFF NO O/P EMERGENCY STOP! SHUTDOWN... VERSION: XXXXXXXX

OPERACION DEL INTERRUPTOR DE DERIVACION MANUAL

Gire este interruptor a la posición “BYPASS” [Derivación] antes de llevar a cabo cualquier tipo de mantenimiento al UPS con la carga respaldada conectada. El equipo conectado recibirá CA filtrada de la fuente de energía principal pero no recibirá energía en el caso de un apagón.

CONMUTANDO SU UPS A MODO DE “DERIVACION”

- Presione el botón “OFF” [Apagado].
- Gire el interruptor “Manual Bypass” [Derivación Manual] en el sentido de las manecillas del reloj de “NORMAL” a “BYPASS” [Derivación].
- Apague el Interruptor de Circuito de la Entrada Principal.

CONMUTANDO SU UPS A MODO “NORMAL”

- Encienda el Interruptor de Circuito de la Entrada Principal.
- Gire el interruptor “Manual Bypass” en el sentido contrario al de las manecillas del reloj de “BYPASS” de regreso a “NORMAL”.
- Presione el botón “ON” [Encendido]

Comunicaciones

INTERFAZ RS-232

Este puerto DB9 hembra conecta su UPS por medio de un cable RS-232 a una estación de trabajo o servidor equipado con software Tripp Lite. El puerto usa comunicaciones RS-232 para reportar el estado del UPS y de las condiciones de la energía. Utilizando este puerto el software de Tripp Lite puede monitorear y manejar la energía de la red y automáticamente guardar archivos abiertos y apagar el equipo durante un apagón. Comuníquese con el Soporte a Clientes de Tripp Lite al (773) 869-1234 para obtener información de productos y software para administración de red y equipos SNMP.

Las señales y operaciones del RS-232 incluyen: nivel de carga, estado de la batería, nivel de la batería, modo de operación, voltaje de entrada CA, voltaje de salida CA, frecuencia de la entrada CA, temperatura dentro de la unidad, ajuste el tiempo de espera para apagar el equipo, habilitar/deshabilitar la alarma, y apagado remoto.

Hardware:

Velocidad de Transmisión: 2400 BPS
 Tamaño de Datos: 8 bits
 Bit de Paridad: 1 bit
 Paridad: NINGUNA

Asignación de los Pins:

Pin 2: TXD (Transmite Datos)
 Pin 3: RXD (Recibe Datos)
 Pin 5: GND (Señal de Tierra)

INTERFAZ AS-400

Este puerto DB9 hembra conecta su UPS a una computadora IBM AS-400 por medio de un cable AS-400. El puerto usa comunicaciones AS-400 para reportar el estado del UPS. Puede usarse para permitir que un AS-400 automáticamente salve los archivos abiertos y cierre el sistema operativo durante un apagón. El protocolo del AS-400 incluye: operación con el inversor, operación con el suministro de energía CA, operación con la batería (en respaldo) y alarma de batería baja

Asignación del PIN

Pin 5: Común
 Pin 6: Operación con suministro CA
 Pin 7: Alarma de batería baja
 Pin 8: Operación con el Inversor
 Pin 9: Operación en Respaldo

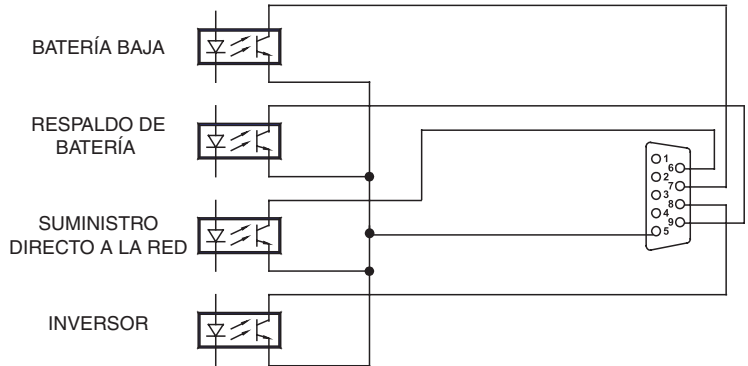


TABLA DE LA INTERFAZ AS-400

	Pin 6,5	Pin 7,5	Pin 8,5	Pin 9,5
Batería	APAGADO	*	ENCENDIDO	ENCENDIDO
Batería Baja	APAGADO	ENCENDIDO	ENCENDIDO	ENCENDIDO
Suministro Directo de la Principal	ENCENDIDO	APAGADO	APAGADO	APAGADO
Inversor	APAGADO	*	ENCENDIDO	

* Inactivo: puede estar en cualquier estado.

INTERFAZ DEL CONTACTO SECO

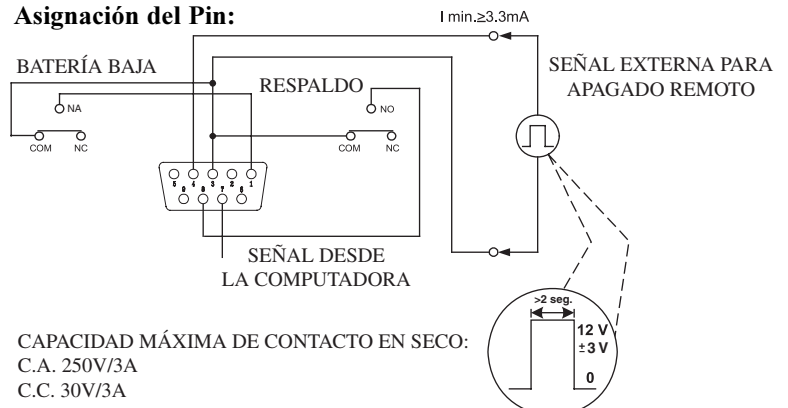
Este puerto de cierre de contacto DB9 hembra le permite al UPS enviar señales de cierre de contacto para indicar que está en modo de respaldo de la batería y si sus baterías se están agotando. El puerto también puede recibir una señal remota de apagado.

TABLA DE LA INTERFAZ DE CONTACTO SECO

Modo de Operación del UPS	PIN 8,3	PIN 1,3
Normal	ABIERTO	ABIERTO
Respaldo	CERRADO	*
Batería Baja	CERRADO	CERRADO

* Inactivo: puede estar en cualquier estado.

Asignación del Pin:



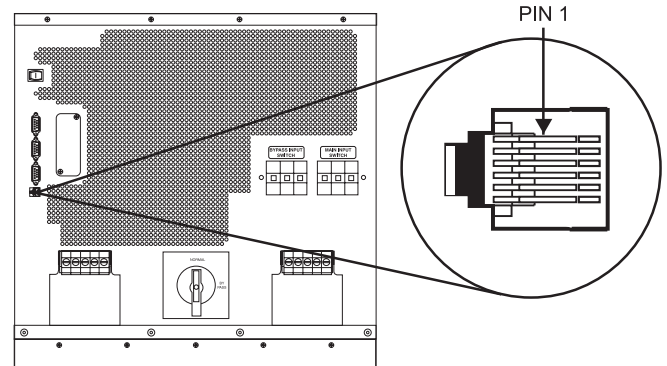
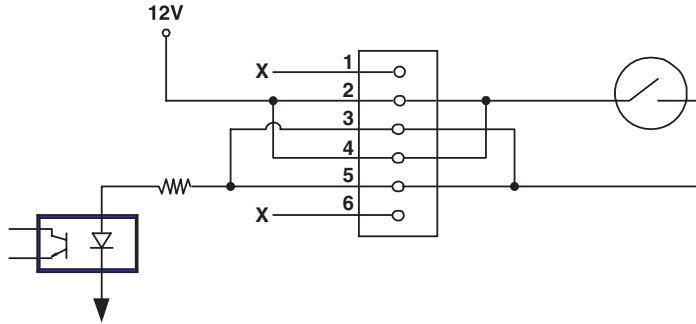
CAPACIDAD MÁXIMA DE CONTACTO EN SECO:
 C.A. 250V/3A
 C.C. 30V/3A

Comunicaciones *(continuación)*

APAGADO DE EMERGENCIA REMOTO (EPO)

Esta característica opcional es únicamente para esas aplicaciones que requieren conectarse a un circuito de Apagado de Emergencia Remoto (EPO). Cuando el UPS se conecta a este circuito, habilita el apagado remoto de la salida. Utilizando un cable, suministrado por el usuario, conecte el puerto EPO sistema UPS a un interruptor remoto, suministrado por el usuario. El puerto EPO no es un supresor de picos de la línea telefónica, no conecte una línea telefónica a este puerto. Los PINs asignados para el puerto EPO se muestran en el siguiente diagrama. Nota: si hay un corto entre los PINs 2 y 3, 2 y 5, 4 y 5, ó 3 y 4, el sistema UPS se apagará. Para restaurar por un cierre de un apagado de Emergencia Remoto, asegúrese que hay energía CA presente en la línea de entrada, que los Corta Circuitos de Entrada están encendidos y que la señal de cierre ha sido removida del circuito EPO. Presione el botón "OFF" [Apagado] del panel frontal por 2 ó 3 segundos (hasta que escuche un pitido), esto pondrá el UPS en modo de Derivación. A continuación el botón "ON" [Encendido] por un segundo. El UPS reiniciara si existe energía presente en la línea CA.

Asignación de Pins:



Añadiendo o Reemplazando las Baterías Internas



¡PELIGRO!

¡ALTO VOLTAJE POTENCIALMENTE LETAL! ¡UNICAMENTE ELECTRICISTAS CALIFICADOS!
Siga todas las precauciones de seguridad descritas en la sección Seguridad antes de añadir o reemplazar las baterías internas.



¡PELIGRO!

¡NO REMUEVA LA CUBIERTA PROTECTORA DE LA BATERIA!

No remueva la cubierta de plástico que protege a la batería. Esta cubierta está diseñada para prevenir contacto accidental con la terminales de las baterías. El contacto con las terminales crean un potencial de lesiones severas o muerte por alto voltaje letal. No permita que herramientas u otros objetos de metal tengan contacto con las terminales.

¡PRECAUCION!

¡LOS MODULOS DE BATERIA SON PESADOS!

Use toda la ayuda y asistencia que sea necesaria.

¡ADVERTENCIA!

CHEQUE EL VOLTAJE DEL MODULO DE BATERIAS ANTES DE COMPLETAR LA INSTALACION
No instale módulos de baterías con voltajes CD fuera de un rango aceptable. (Esto puede comprometer la capacidad de respaldo de las baterías).

¡NOTA!

Cada módulo de baterías consiste de dos cadenas de baterías una cadena con un cable NEGRO y otra cadena con un cable ROJO.

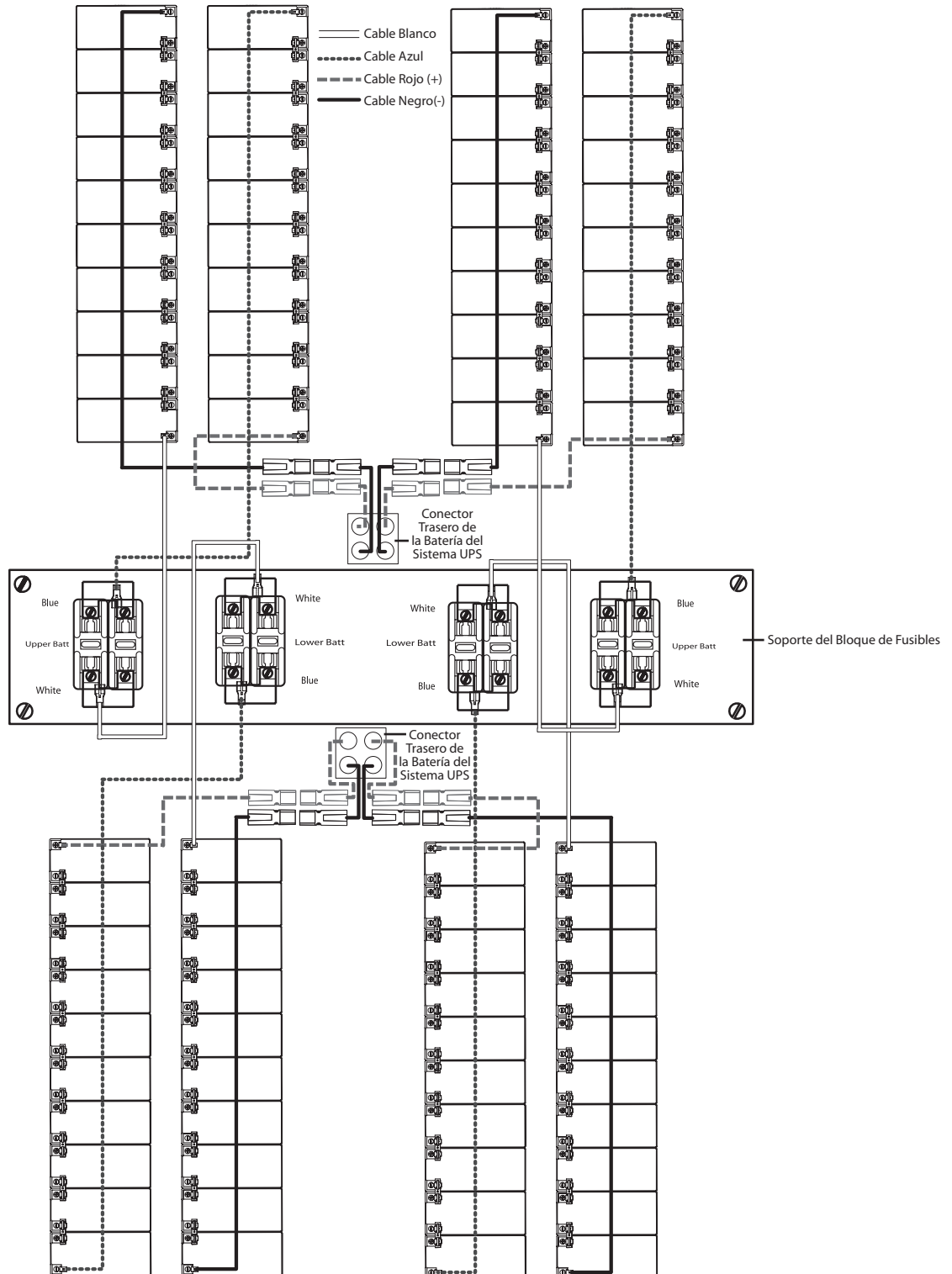
Las baterías están diseñadas para reemplazo Hot-Swap, lo que permite que el equipo conectado reciba en forma continua energía CA principal (pero no respaldo de la batería en el caso de un apagón) durante el procedimiento de instalación de la batería. Vea "Operación del Interruptor de Derivación Manual" en la sección Operación. Aunque las baterías puedan ser reemplazadas de esta manera, personal de servicio calificado puede desear apagar el equipo totalmente durante la instalación de las baterías. Vea "Apagando su UPS" en la Sección Operación.

Los módulos de baterías internas deben ser reemplazados por baterías equivalentes disponibles en Tripp Lite. El aumentar módulos de baterías incrementará el tiempo de recarga. Los modelos individuales pueden variar ligeramente de los diagramas.

Añadiendo o Remplazando las Baterías Internas *(continuación)*

DIAGRAMA DEL CABLEADO DEL MÓDULO DE BATERÍAS INTERNAS

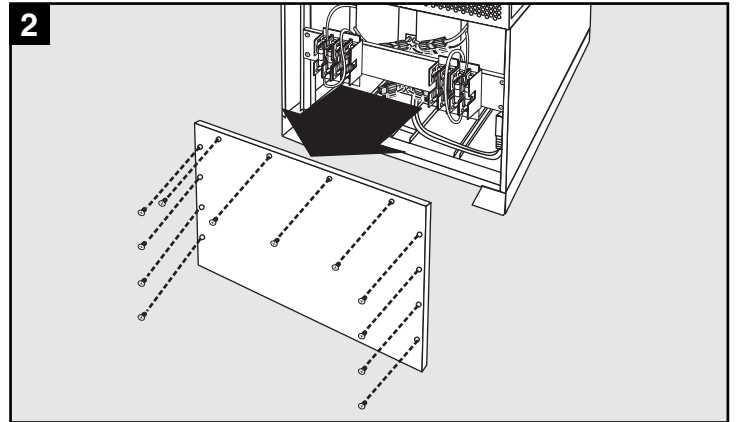
Personal de servicio calificado debe familiarizarse con el diagrama del cableado de la batería antes de aumentar o reemplazar las baterías. El módulo de baterías puede aceptar hasta cuatro módulos de baterías (Cada módulo se compone de dos cadenas). El diagrama muestra a los cuatro módulos de baterías conectadas para efectos de ilustración únicamente. El número real de baterías embarcadas con el UPS varía dependiendo del número del modelo.



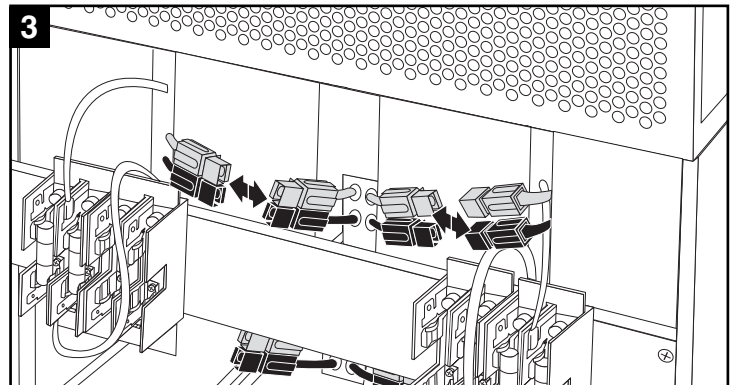
Añadiendo o Remplazando las Baterías Internas *(continuación)*

1 Dependiendo de su preferencia, coloque el sistema UPS en modo de Derivación o apáguelo completamente, Vea “Operación del Interruptor de Derivación Manual” o “Apagando el UPS”. En la sección Operaciones.

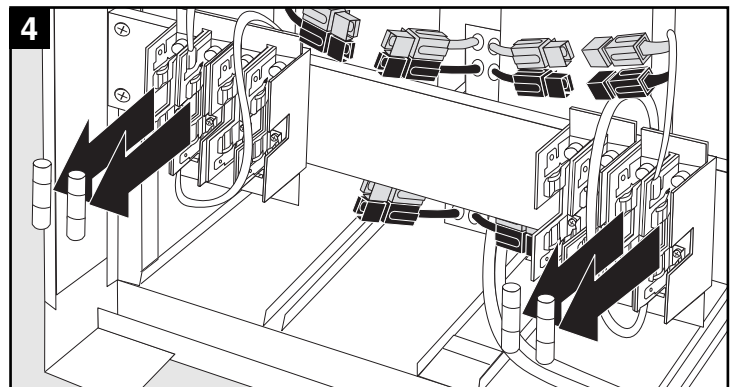
2 Remueva el panel de acceso a la batería, localizado en el FRENTE del sistema UPS.



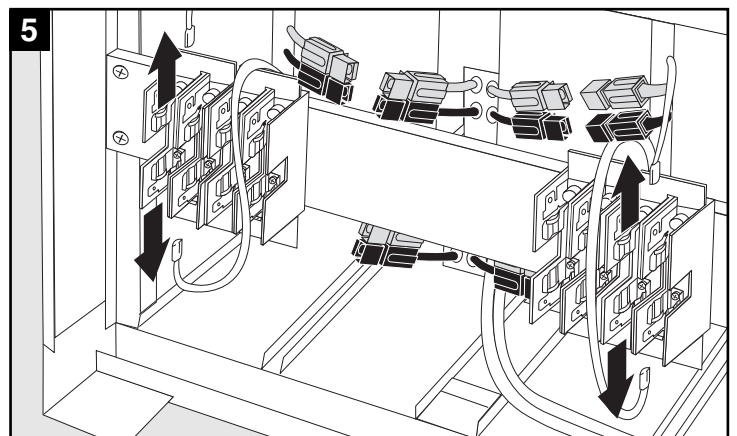
3 Desconecte los cables **ROJO** y **NEGRO** conectados a cada módulo de baterías Internas.



4 Remueva el cartucho de fusibles de la batería de cada bloque de fusibles. Guarde los fusibles.



5 Desconecte los cables de puenteo **AZUL** y **BLANCO** conectado a cada bloque de fusibles.

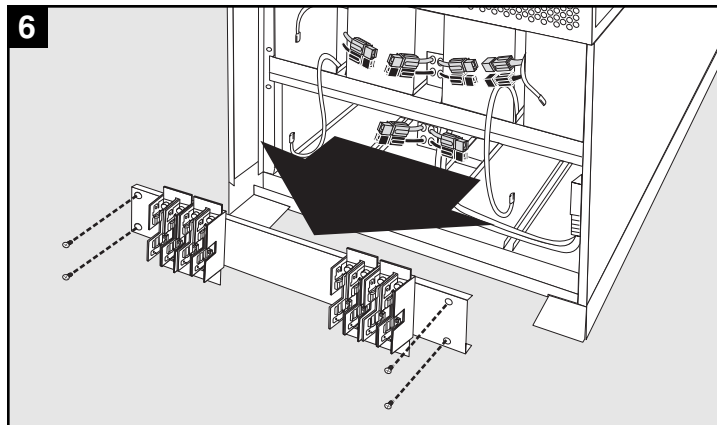


¡PRECAUCION!

Cuando desconecte los cables de puenteo jálelos hacia fuera del bloque de fusibles con fuerza uniforme. No los menea o zarandee de lado a lado, ya que esto puede dañar al conector.

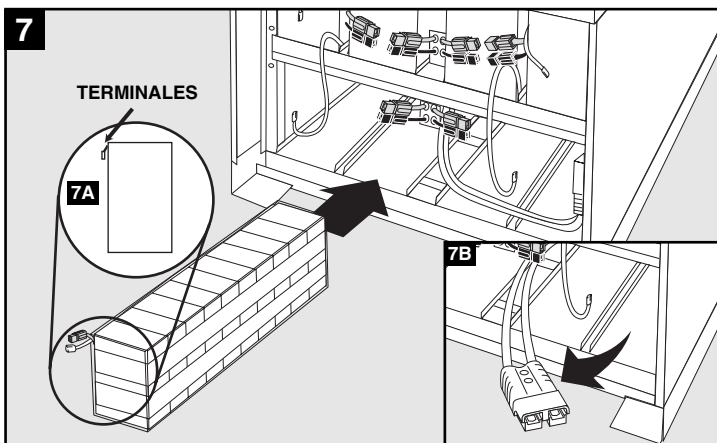
Añadiendo o Reemplazando las Baterías Internas *(continuación)*

6 Remueva el soporte del bloque de fusibles.

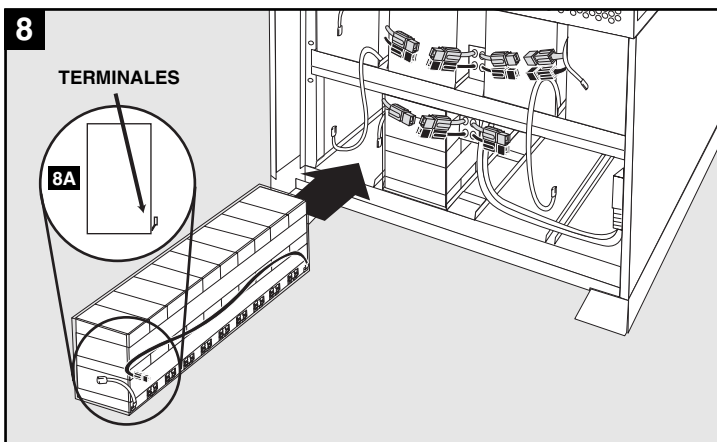


7 Deslice la cadena de baterías con el cable **ROJO** en una ranura vacía dentro del compartimiento de la batería como se muestra. Asegúrese que la cadena de baterías está orientada como se muestra en el diagrama **7A**.

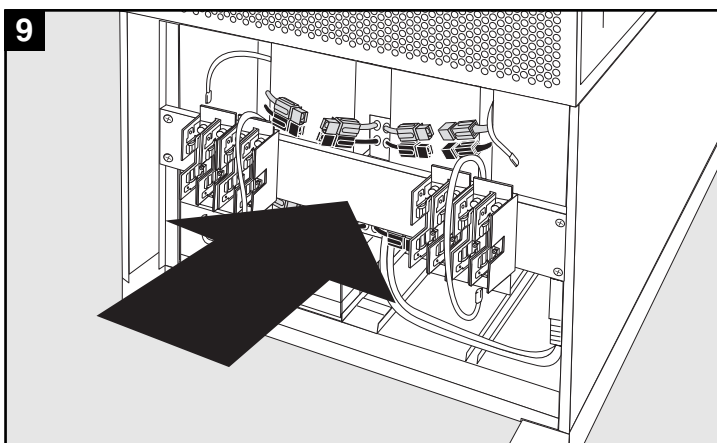
*NOTA Si el conector de la batería auxiliar estorba, remueva su tornillo de montaje y reposicione el cable para permitir que haya un espacio adecuado para añadir la cadena de baterías **7B**.*



8 Deslice la cadena de baterías que tiene el cable **NEGRO** junto a ella (a la izquierda), en una ranura vacía como se muestra. Asegúrese que la cadena esta orientada como se muestra en el diagrama **8A**.

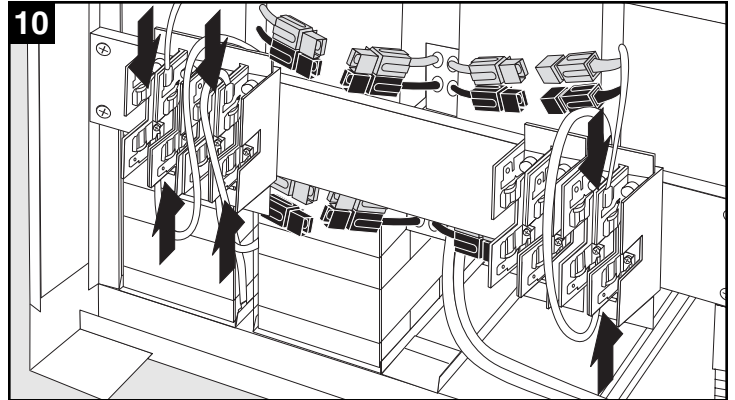


9 Recoloque el soporte del bloque de fusibles. Asegúrese que las impresiones en el soporte estén orientadas de forma que sean leibles.

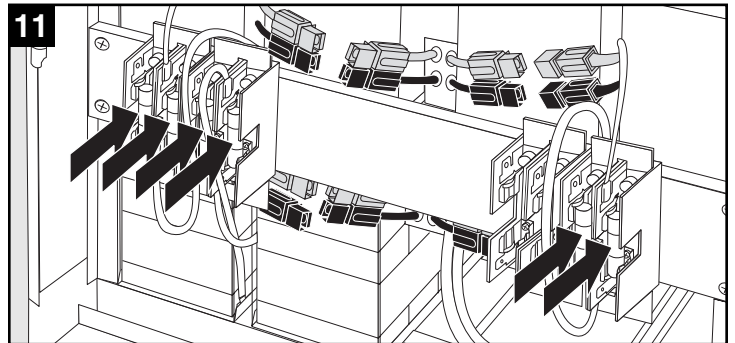


Añadiendo o Reemplazando las Baterías Internas *(continuación)*

- 10** Conecte los cables de puenteo **AZUL** y **BLANCO** en cada uno de los módulos de baterías internas a su bloque de fusibles correspondiente. Lea el impreso junto al bloque de fusibles para localizar el bloque de fusibles correcto para cada cable.



- 11** Inserte los cartuchos de fusibles de la batería en cada bloque de fusibles. Los fusibles son idénticos y pueden insertarse en cualquiera de los bloques. Asegúrese de que los fusibles están firmemente sujetos en su lugar.



¡PELIGRO!

LOS CATUCHOS DE LOS FUSIBLES DE LA BATERIA DEBEN SER INSERTADOS HASTA EL ULTIMO DEBIDO AL PELIGRO DE ARCOS VOLTAICOS DE LOS CONECTORES

REPLAZO DE LOS FUSIBLES

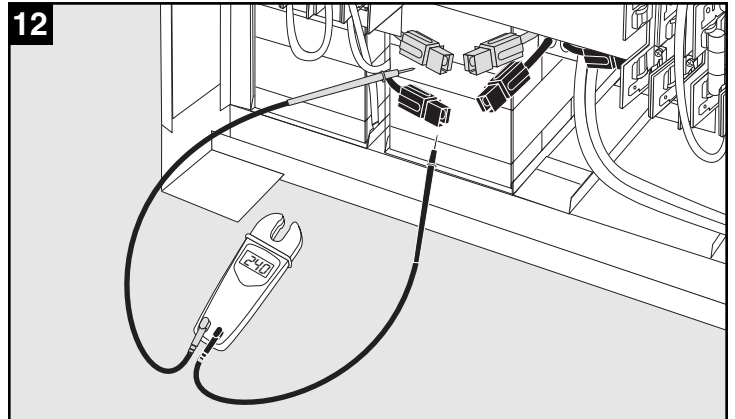
Los fusibles protegen contra daños por corto circuitos. Si se presentara una fuerte sobrecarga o corto circuito el fusible se quemará. Un módulo de baterías con un fusible quemado no entregará ninguna salida de voltaje al sistema UPS.



¡PELIGRO!

Los fusibles deben ser reemplazados por un electricista calificado. Para reducir el riesgo de un incendio, replácelos únicamente por fusibles del mismo tipo o clase (Cartuchos de fusibles de clase 30A 600VCD reconocidos por UL).

- 12** Use un voltímetro (suministrado por el usuario) para revisar el voltaje del módulo de baterías. Observe la polaridad adecuada: conecte la punta de prueba **NEGRA** del voltímetro al conector **NEGRO** del módulo de baterías, conecte la punta de prueba **ROJA** del voltímetro en el conector **ROJO** del módulo de baterías. Para obtener una lectura adecuada, asegúrese que las puntas de prueba del voltímetro toquen los contactos metálicos del conectores del módulo de baterías. **El rango de voltaje CD aceptable, del módulo de baterías, es entre 220 y 280V CD.** Si varios intentos con el voltímetro dan resultados fuera de este rango, comuníquese con Tripp Lite para obtener asistencia para determinar las posibles causas de la lectura incorrecta del voltaje.



Añadiendo o Remplazando las Baterías Internas *(continuación)*

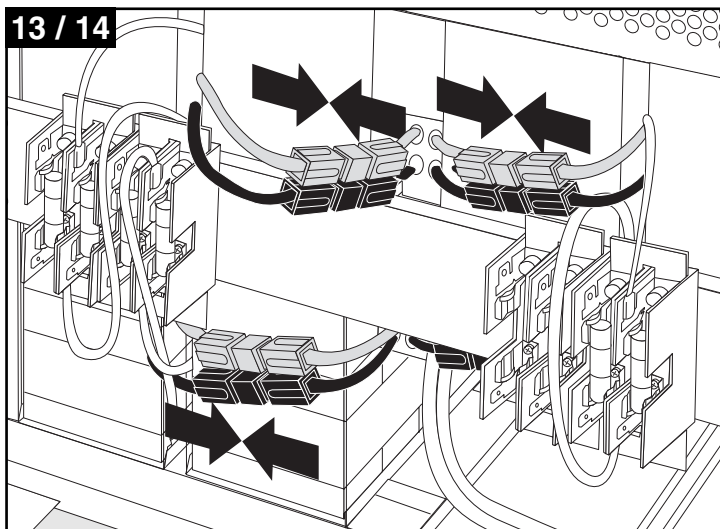


¡ADVERTENCIA!

¡OBSERVE LA POLARIDAD CORRECTA!

Conecte **NEGRO-a-NEGRO** y **ROJO-a-ROJO**. El no observar la correcta polaridad puede causar daño permanente al Sistema UPS además de poder causar serias lesiones personales.

- 13** Conecte el cable **NEGRO** para cada módulo de baterías internas al conector **NEGRO** más cercano localizado adentro del módulo de baterías del sistema UPS.
- 14** Conecte el cable **ROJO** para cada módulo de baterías internas al conector **ROJO** más cercano localizado adentro del módulo de baterías del sistema UPS.
- 15** Remplace el panel de acceso a las baterías.
- 16** Regrese el Sistema UPS al Modo Normal o enciéndalo completamente, dependiendo del procedimiento que haya seguido en el paso 1. Vea “Operación del Interruptor de Derivación Manual” o “Encendiendo su UPS” en la sección Operación.



Servicio

Su Sistema UPS SmartOnline trifásico está cubierto por la garantía limitada descrita abajo. Garantías extendidas (2-, 3- y 4-años) y Programas de Servicio de Instalación Inicial están disponibles. Para mayor información llame al Servicio a Clientes de Tripp Lite al (773) 869-1234.

Garantía

Garantía Limitada del Sistema UPS Trifásico

El Vendedor garantiza este producto, si es usado de acuerdo a las instrucciones aplicables verificadas por el Servicio de Instalación Inicial de Tripp Lite de estar libre de defectos de origen en materiales y mano de obra por un periodo de un año (dentro de los Estados Unidos y Canadá) a partir de la fecha de inicio. Si el producto mostrara defectos en materiales o mano de obra dentro de ese periodo, El Vendedor reparará o reemplazará las partes defectuosas sin ningún cargo por mano de obra o partes. Si el producto no fue puesto en operación por un servicio autorizado de Tripp Lite, se suministrarán las partes de repuesto pero los cargos de la mano de obra aplicarán conforme a las tarifas de Tiempo y Materiales publicadas por Tripp Lite. Tripp Lite le asignará cualquiera de las garantías proporcionadas a Tripp Lite por los fabricantes de los componentes del producto de Tripp Lite. Tripp Lite no hace representación de extender estas garantías y no asume responsabilidad por la garantía de esos componentes. El servicio bajo esta garantía puede ser obtenida solamente comunicándose a: Servicio a Clientes de Tripp Lite; 1111 W. 35th Street; Chicago IL 60609; (773) 869-1234.

ESTA GARANTIA NO APLICA POR EL USO NORMAL O DAÑOS RESULTANTES DE ACCIDENTES, INSTALACION INADECUADA, MAL USO, ABUSO O NEGLIGENCIA. EL VENDEDOR NO EXPRESA OTRAS GARANTIAS QUE NO SEA LA GARANTIA EXPRESAMENTE ESTABLECIDA AQUI. EXCEPTO POR LO PROHIBIDO POR LAS LEYES APLICABLES TODAS LAS GARANTIAS IMPLICADAS, INCLUYENDO TODAS LAS GARANTIAS DE MERCANTIBILIDAD O CONVENIENCIA, SON LIMITADAS. AL PERIODO ESTABLECIDO CON ANTERIORIDAD ARRIBA; Y ESTA GARANTIA EXPRESAMENTE EXCLUYE TODOS LOS DAÑOS INCIDENTALES Y CONSECUENTES.

LEA SU INSTRUCTIVO
CONSULTE SUS CONDICIONES DE GARANTÍA POR PRODUCTO
PÓLIZA DE GARANTÍA

Este equipo marca Tripp Lite, modelo _____ está garantizado por TRIPP LITE, que tiene su domicilio en la calle de Sierra Candela No.111-107, Col Lomas de Chapultepec, CP 11000, México, DF, y puede hacer efectiva su garantía así como obtener partes, componentes, consumibles y accesorios en el Centro de Servicio Q PLUS ubicado en Av Coyoacan 931, Col. Del Valle, C.P. 03120 México. D.F., tel. 50 00 27 00 contra cualquier defecto de fabricación y funcionamiento, imperfecciones de materiales, piezas, componentes y mano de obra al consumidor acorde a la siguiente tabla:

Producto	Modelo	Vigencia
Sistema de Energía Ininterrumpible (UPS)	Familia: BC, OMNI, SMART, SMARTONLINE MONOFASICOS	2 Años
Sistema de Energía Ininterrumpible (UPS)	Familia: SMARTONLINE 3PH	1 Año
Regulador y Acondicionador de Tensión	Familia: LS, LC	2 Años
Inversores	Familia: APS, PV	2 Años
Multiplexor y Conmutador	Familia: KVM	5 Años
Conmutador	Modelo: B020-016	6 Meses
Supresor de Picos de Tensión	Familia: PROTECT IT, ISOBAR	25 Años

CONDICIONES

1. Para hacer válida su garantía no podrán exigirse mayores requisitos que la presentación de esta póliza debidamente llenada y sellada por el establecimiento que lo vendió junto con el producto en el lugar donde fue adquirido.
2. TRIPP LITE, se compromete a reparar, y en caso de que a su juicio no sea posible la reparación, a cambiar el equipo, así como las piezas y componentes defectuosos del mismo sin cargo alguno para el propietario durante el periodo de garantía, así como los gastos de transportación razonablemente erogados del producto que deriven de su cumplimiento, dentro de su red de servicio.
3. El tiempo de reparación en ningún caso será mayor de 30 días contados a partir de la fecha de recepción del producto en el Centro Autorizado de Servicio, en donde también podrán adquirir refacciones y partes.
4. En caso de que la presente póliza de garantía se extraviara, el consumidor puede recurrir a su proveedor para que expida un duplicado de la póliza de garantía, previa presentación de la nota de compra o factura correspondiente.

EXCLUSIONES

Esta garantía no es válida en los siguientes casos:

- a) Cuando el producto se hubiese utilizado en condiciones distintas a la normales.
- b) Cuando el producto no hubiese sido operado de acuerdo con el instructivo de uso que se le acompaña.
- c) Cuando el producto hubiese sido alterado o reparado por personas no autorizadas por el fabricante nacional, importador o comercializador responsable respectivo.

Este equipo fue vendido por: _____
con domicilio en _____
el día _____ de _____ de _____, fecha a partir de la que inicia la presente garantía.

Especificaciones

Modelo: SU20K3/3

Entrada	
Voltaje de Entrada	120/208V CA, 3ø, 4 hilos (más tierra), wye
Frecuencia de Entrada	60 Hz ± 3 Hz
Rango de Corrección del Voltaje	88-144/166-250V CA
Corriente de Entrada (Por Fase, En Línea)	60A
Acometida	<300A
Factor de Potencia (Carga Completa)	>0.95
Eficiencia (Carga Completa/En Línea)	>89%
Interruptor de Circuitos	200A (3p)
Interruptor de Circuitos de entrada de la Derivación	200A (3p)

Salida	
VA	20000
Watts (Factor de Potencia: 0.8)	16000
Forma de la Onda (En Línea)	Sinusoidal
Forma de la Onda (En Respaldo)	Sinusoidal
Voltaje de Salida (RMS)	120/208V CA, 3ø, 4 hilos (más tierra), wye
Frecuencia de Salida	60 Hz (± 0.1 Hz, en respaldo)
Regulación de Voltaje	±2%
Máxima Distorsión Armónica (Carga Completa No Linear)	<5%
Capacidad de Sobrecarga	≤102% (continuos), 102%~125% (1 min.), 125%~150% (30 seg.), ≥150% (2 seg.)
Capacidad de Corto Circuito	≥167A
Factor de Cresta	3:1

Batería	
Tipo de Batería	Sellada, Acido de Plomo, 240V CD, 9AH
Cantidad de Módulos de Baterías	Dos módulos (20 12V CD Baterías por módulo)
Protección	Cuatro cartuchos de fusibles clase 30A 600VCD reconocidos UL (dos por módulo de baterías) y bloque de fusibles (1 por módulo de baterías)
Tiempo de Respaldo Típico (Media Carga)	17 min. +
Tiempo de Respaldo Típico (Carga Completa)	5 min. +

Operación	
Tiempo de Transferencia en Línea (Línea a Batería, Batería a Línea)	0 ms
Ruido Audible (Carga Completa @ 1 metro)	<65 dBA

Indicadores	
Incluye una Pantalla LCD y (AC Line In [Entrada de la Línea CA], Bypass Line In [Entrada de la Línea de Derivación], AC to DC [CA a CD], DC to AC [CD a CA], AC Output [Salida CA], Battery Back-Up [Respaldo de Batería], Bypass [Derivación]).	

Comunicaciones	
Incluye un conector hembra RS-232 DB9, Un conector hembra AS-400 DB9, un conector hembra para contacto seco DB9 y una ranura para accesorios.	

Conexiones	
Bloque de Terminales de Entrada	100A
Bloque de Terminales de Salida	100A

Especificaciones Físicas	
Dimensiones de la Unidad (Al x An x Pr)	90 x 49 x 91 cm
Peso de la Unidad	236 kg
Dimensiones de Embarque (Al x An x Pr)	109 x 71 x 113 cm
Peso de Embarque	276 kg

Modelo: SU20K3/3XR5

Entrada	
Voltaje de Entrada	120/208V CA, 3ø, 4 hilos (más tierra), wye
Frecuencia de Entrada	60 Hz ± 3 Hz
Rango de Corrección del Voltaje	88-144/166-250V CA
Corriente de Entrada (Por Fase, En Línea)	60A
Acometida	<300A
Factor de Potencia (Carga Completa)	>0.95
Eficiencia (Carga Completa/En Línea)	>89%
Interruptor de Circuitos	200A (3p)
Interruptor de Circuitos de entrada de la Derivación	200A (3p)

Salida	
VA	20000
Watts (Factor de Potencia: 0.8)	16000
Forma de la Onda (En Línea)	Sinusoidal
Forma de la Onda (En Respaldo)	Sinusoidal
Voltaje de Salida (RMS)	120/208V CA, 3ø, 4 hilos (más tierra), wye
Frecuencia de Salida	60 Hz (± 0.1 Hz, en respaldo)
Regulación de Voltaje	±2%
Máxima Distorsión Armónica (Carga Completa No Linear)	<5%
Capacidad de Sobrecarga	≤102% (continuos), 102%~125% (1 min.), 125%~150% (30 seg.), ≥150% (2 seg.)
Capacidad de Corto Circuito	≥167A
Factor de Cresta	3:1

Batería	
Tipo de Batería	Sellada, Acido de Plomo, 240V CD, 9AH
Cantidad de Módulos de Baterías	Cinco módulos (20 12V CD Baterías por módulo)
Protección	Diez cartuchos de fusibles clase 30A 600VCD reconocidos UL (dos por módulo de baterías) y bloque de fusibles (1 por módulo de baterías)
Tiempo de Respaldo Típico (Media Carga)	42 min. +
Tiempo de Respaldo Típico (Carga Completa)	17 min. +

Operación	
Tiempo de Transferencia en Línea (Línea a Batería, Batería a Línea)	0 ms
Ruido Audible (Carga Completa @ 1 metro)	<65 dBA

Indicadores	
Incluye una Pantalla LCD y (AC Line In [Entrada de la Línea CA], Bypass Line In [Entrada de la Línea de Derivación], AC to DC [CA a CD], DC to AC [CD a CA], AC Output [Salida CA], Battery Back-Up [Respaldo de Batería], Bypass [Derivación]).	

Comunicaciones	
Incluye un conector hembra RS-232 DB9, Un conector hembra AS-400 DB9, un conector hembra para contacto seco DB9 y una ranura para accesorios.	

Conexiones	
Bloque de Terminales de Entrada	100A
Bloque de Terminales de Salida	100A

Especificaciones Físicas	
Dimensiones de la Unidad (Al x An x Pr)	118 x 49 x 91 cm
Peso de la Unidad	424 kg
Dimensiones de Embarque (Al x An x Pr)	156 x 78 x 113 cm
Peso de Embarque	523 kg

+ Los tiempos de respaldo son expansibles con módulos de Baterías adicionales, vendidos por separado. La política de Tripp Lite es de una mejora continua. Las especificaciones están sujetas a cambios sin previo aviso.

Especificaciones (continuación)

Modelo: SU30K3/3

Input	
Voltaje de Entrada	120/208V AC, 3ø, 4 hilos (más tierra), wye
Frecuencia de Entrada	60 Hz ± 3 Hz
Rango de Corrección del Voltaje	88-144/166-250V CA
Corriente de Entrada (Por Fase, En Línea)	90A
Acometida	<300A
Factor de Potencia (Carga Completa)	>0.95
Eficiencia (Carga Completa/En Línea)	>89%
Interruptor de Circuitos	200A (3p)
Interruptor de Circuitos de Entrada de la Derivación	200A (3p)

Salida	
VA	30000
Watts (Factor de Potencia: 0.8)	24000
Forma de la Onda (En Línea)	Sinusoidal
Forma de la Onda (En Respaldo)	Sinusoidal
Voltaje de Salida (RMS)	120/208V AC, 3ø, 4 hilos (más tierra), wye
Frecuencia de Salida	60 Hz (± 0.1 Hz, en respaldo)
Regulación de Voltaje	±2%
Máxima Distorsión Armónica (Carga Completa No Linear)	<5%
Capacidad de Sobrecarga	≤102% (continuos), 102%-125% (1 min.), 125%-150% (30 seg.), ≥150% (2 seg.)
Capacidad de Corto Circuito	≥250A
Factor de Cresta	3:1

Batería	
Tipo de Batería	Sellada, Acido de Plomo, 240V CD, 9AH
Cantidad de Módulos de Baterías	Tres módulos (20 12V CD Baterías por módulo)
Protección	Seis cartuchos de fusibles clase 30A 600VCD reconocidos UL (dos por módulo de baterías) y bloque de fusibles (1 por módulo de baterías)
Tiempo de Respaldo Típico (Media Carga)	13 min. +
Tiempo de Respaldo Típico (Carga Completa)	5 min. +

Operación	
Tiempo de Transferencia en Línea (Línea a Batería, Batería a Línea)	0 ms
Ruido Audible (Carga Completa @ 1 metro)	<65 dBA

Indicadores	
Incluye una Pantalla LCD y (AC Line In [Entrada de la Línea CA], Bypass Line In [Entrada de la Línea de Derivación], AC to DC [CA a CD], DC to AC.	

Comunicaciones	
Incluye un conector hembra RS-232 DB9, Un conector hembra AS-400 DB9, un conector hembra para contacto seco DB9 y una ranura para accesorios.	

Conexiones	
Bloque de Terminales de Entrada	100A
Bloque de Terminales de Salida	100A

Especificaciones Físicas	
Dimensiones de la Unidad (Al x An x Pr)	90 x 49 x 91 cm
Peso de la Unidad	300 kg
Dimensiones de Embarque (Al x An x Pr)	109 x 71 x 113 cm
Peso de Embarque	340 kg

+ Los tiempos de respaldo son expansibles con módulos de baterías adicionales, vendidos por separado. La política de Tripp Lite es de una mejora continua. Las especificaciones están sujetas a cambios sin previo aviso.

Cumplimiento de la Regulación de Números de Identificación

Para propósito del cumplimiento de la regulación de certificación e identificación, a su producto Tripp Lite se le ha asignado un número de serie único. Este número de serie se puede encontrar en la etiqueta con la placa del nombre del producto, junto con todas marcas de aprobación e identificación requeridas. Cuando solicite información de cumplimiento de este producto, siempre refiérase al número de serie. Este número de serie no debe confundirse nombre de marca o número de modelo del producto.

Modelo: SU30K3/3XR5

Entrada	
Voltaje de Entrada	120/208V AC, 3ø, 4 hilos (más tierra), wye
Frecuencia de Entrada	60 Hz ± 3 Hz
Rango de Corrección del Voltaje	88-144/166-250V CA
Corriente de Entrada (Por Fase, En Línea)	90A
Acometida	<300A
Factor de Potencia (Carga Completa)	>0.95
Eficiencia (Carga Completa/En Línea)	>89%
Interruptor de Circuitos	200A (3p)
Interruptor de Circuitos de Entrada de la Derivación	200A (3p)

Salida	
VA	30000
Watts (Factor de Potencia: 0.8)	24000
Forma de la Onda (En Línea)	Sinusoidal
Forma de la Onda (En Respaldo)	Sinusoidal
Voltaje de Salida (RMS)	120/208V AC, 3ø, 4 hilos (más tierra), wye
Frecuencia de Salida	60 Hz (± 0.1 Hz, en respaldo)
Regulación de Voltaje	±2%
Máxima Distorsión Armónica (Carga Completa No Linear)	<5%
Capacidad de Sobrecarga	≤102% (continuos), 102%-125% (1 min.), 125%-150% (30 seg.), ≥150% (2 seg.)
Capacidad de Corto Circuito	≥250A
Factor de Cresta	3:1

Batería	
Tipo de Batería	Sellada, Acido de Plomo, 240V CD, 9AH
Cantidad de Módulos de Baterías	Cinco módulos (20 12V CD Baterías por módulo)
Protección	Diez cartuchos de fusibles clase 30A 600VCD reconocidos UL (dos por módulo de baterías) y bloque de fusibles (1 por módulo de baterías)
Tiempo de Respaldo Típico (Media Carga)	25 min. +
Tiempo de Respaldo Típico (Carga Completa)	11 min. +

Operación	
Tiempo de Transferencia en Línea (Línea a Batería, Batería a Línea)	0 ms
Ruido Audible (Carga Completa @ 1 metro)	<65 dBA

Indicadores	
Incluye una Pantalla LCD y (AC Line In [Entrada de la Línea CA], Bypass Line In [Entrada de la Línea de Derivación], AC to DC [CA a CD], DC to AC.	

Comunicaciones	
Incluye un conector hembra RS-232 DB9, Un conector hembra AS-400 DB9, un conector hembra para contacto seco DB9 y una ranura para accesorios.	

Conexiones	
Bloque de Terminales de Entrada	100A
Bloque de Terminales de Salida	100A

Especificaciones Físicas	
Dimensiones de la Unidad (Al x An x Pr)	118 x 49 x 91 cm
Peso de la Unidad	424 kg
Dimensiones de Embarque (Al x An x Pr)	156 x 78 x 113 cm
Peso de Embarque	523 kg

Manuel du propriétaire

Systemes d'onduleur Intelligent True On-Line SmartOnline™ 3-Phase 20 kVA & 30 kVA

Tension d'entrée et de sortie 120/208 V CA, 3 ø, 4 fils (plus prise de terre), wye



Importantes consignes de sécurité	39
Panneau avant	40
Panneau arrière	42
Installation	43
Fonctionnement (Conditions normales)	44
Fonctionnement (Conditions spéciales)	45
Communications	47
Ajout et remplacement des batteries internes	48
Service	53
Garantie	53
Spécifications	54
English	1
Español	19



1111 W. 35th Street • Chicago, IL 60609 USA
(773) 869-1234 • www.tripplite.com



CONSERVER CES CONSIGNES. Ce manuel contient d'importantes instructions et des mises en garde qu'il faut suivre pendant l'installation et l'utilisation de tous les centres systèmes d'onduleur SmartOnline 3-Phase 20 kVA et 30 kVA de Tripp Lite.

Mises en garde relatives à la localisation de l'onduleur

- Installer votre onduleur dans un environnement contrôlé.
- Installer votre onduleur dans un environnement intérieur, à l'abri de la chaleur, de cette lumière directe du soleil, de la poussière, de l'humidité excessive et d'autres contaminants conducteurs.
- Installer votre onduleur dans une zone structurellement saine. Votre onduleur est extrêmement lourd; faites attention quand vous déplacez ou soulevez l'unité.
- Faire toujours fonctionner votre onduleur à des températures intérieures entre 0° C et 40° C (entre 32° F et 104° F). Pour de meilleurs résultats, maintenir les températures intérieures entre 17° C et 29° C (entre 62° F et 84° F).
- Maintenez un dégagement adéquat tout autour de l'onduleur pour garantir une bonne circulation d'air.
- Ne pas installer l'onduleur près de supports magnétiques de mémoire, il pourrait en résulter une corruption des données.
- L'onduleur est conçu pour supporter la charge nominale maximale d'un (1) module d'alimentation et jusqu'à deux (2) modules de batterie à pleine charge. Ne pas observer cette charge nominale maximale (en empilant plus d'un (1) module d'alimentation ou de deux (2) modules de batterie) endommagera l'onduleur de façon permanente et créera l'éventualité de blessures personnelles sérieuses.
- Les roulettes pivotantes de l'onduleur sont conçues uniquement pour des ajustements de position dans l'aire finale d'installation et non pour déplacer l'onduleur sur de longues distances. Les roulettes ne sont pas conçues uniquement pour un support à long terme de l'onduleur après l'installation finale. Il faut installer l'onduleur à l'aide de brides de fixation. Voir la section Installation.

Mises en garde relatives aux connexions de l'onduleur

- L'alimentation électrique de cette unité doit être triphasé conformément à la plaque signalétique de l'équipement. Il doit aussi être mis à la terre adéquatement conformément à tous les règlements électriques locaux applicables.

Mises en garde relatives aux connexions de l'équipement

- Ne pas utiliser les systèmes d'onduleur Tripp Lite dans les applications médicales de survie où un mauvais fonctionnement ou une panne de l'onduleur pourrait entraîner une panne de l'équipement médical de survie ou altérer sa performance de façon importante.
- L'onduleur UPS comprend sa propre source d'énergie (batterie). Les bornes de sortie pourraient être alimentées même quand l'onduleur n'est pas branché sur le courant alternatif.

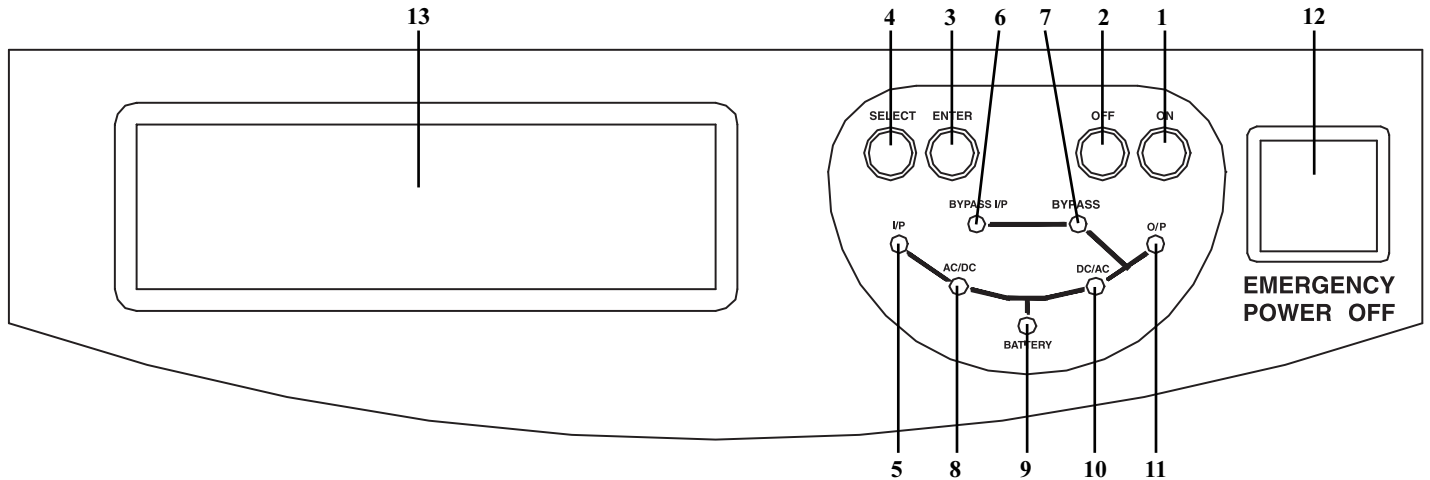
Mises en garde relatives aux batteries

- Votre onduleur ne nécessite aucun entretien de routine. N'ouvrir le module d'alimentation de l'onduleur sous aucun prétexte; aucune pièce interne n'est réparable par l'utilisateur. À cause du risque de choc électrique, seuls des électriciens qualifiés devraient ouvrir le module de la batterie..
- À cause du risque de choc électrique et de brûlures dus au courant élevé de court-circuit, seul un personnel de réparations expérimenté observant les précautions appropriées devrait changer les batteries. Enlever montres, bagues et autres objets de métal. Utiliser des outils avec des poignées isolées. Porter des gants et des bottes de caoutchouc. Ne pas déposer d'outils ou de pièces de métal sur le dessus des batteries. Ne pas établir de court circuit ou de pont entre les bornes de la batterie avec un quelconque objet.
- Ne pas jeter les batteries au feu. Les batteries d'onduleur sont recyclables. Consultez les codes locaux pour les exigences d'élimination des déchets, ou au E.-U. seulement, consultez ces sources pour des renseignements concernant le recyclage : 1-800-SAV-LEAD (1-800-728-5323), 1-800-8-BATTERY (1-800-8-228-8379), ou www.rbr.com.
- Il faut remplacer les batteries internes par des batteries équivalentes en vente chez Tripp Lite.
- Ne pas faire fonctionner votre onduleur sans batterie.
- Seul du personnel d'usine autorisé devrait remplacer les fusibles de batterie. Il faudrait remplacer les fusibles sautés par des fusibles de même numéro et de même type.
- Des tensions mortelles existent potentiellement dans cette unité aussi longtemps que le bloc d'alimentation par batterie est connecté. Seul du personnel expérimenté devrait s'occuper du service et des réparations. Pendant tout travail de réparation, l'UPS devrait être mis hors tension ou mis en court-circuit manuel.
- Ne pas connecter ou déconnecter les modules de batterie quand l'UPS fonctionne sur le bloc alimentation de batterie ou quand l'unité n'est pas en mode court-circuit.

Panneau avant

Prendre connaissance de l'emplacement et des fonctions des caractéristiques de votre onduleur avant de l'installer et de le faire fonctionner.

PANNEAU DE COMMANDE



- 1. Bouton “ ON ”** : Ce bouton met le convertisseur de l'onduleur en marche.
- 2. Bouton “ OFF ”** : Ce bouton arrête le convertisseur de l'onduleur

NOTE : Si l'onduleur reste à l'arrêt pendant une longue période, il faut le remettre en marche périodiquement pour permettre à ses batteries internes de se recharger. L'onduleur doit être remis en marche et ses batteries internes rechargées pendant une période ininterrompue d'au moins 24 heures tous les 3 mois. Ne pas fournir de recharge périodique pourrait endommager les batteries de manière irréversible.

- 3. Bouton “ ENTER ”** : Ce bouton change ou sélectionne les variables indiquées sur l'écran ACL. Appuyer simultanément sur les boutons “ ENTER ” et “ SELECT ” pendant ¼ seconde pour assourdir l'alarme sonore.
- 4. Bouton “ SELECT ”** : Ce bouton vous permet de naviguer entre les différentes lectures de puissance sur l'écran ACL en appuyant un instant sur le bouton. Appuyer simultanément sur les boutons “ ENTER ” et “ SELECT ” pendant ¼ seconde pour assourdir l'alarme sonore.
- 5. Témoin DEL “ I/P ” (entrée)** : Cette lumière verte sera constamment allumée pour indiquer la présence du courant d'entrée CA.
- 6. Témoin DEL “ BYPASS I/P ” (entrée de dérivation)** : Cette lumière verte sera constamment allumée pour indiquer la présence du courant d'entrée CA à l'entrée de dérivation.
- 7. Témoin DEL “ BYPASS ”** : Cette lumière jaune clignotera quand l'onduleur fournit une alimentation principale filtrée sans engager son convertisseur ou son inverseur. La batterie n'alimentera pas l'équipement connecté en cas de panne.
- 8. Témoin DEL “ AC/DC ” (Convertisseur)** : Cette lumière verte sera constamment allumée pour indiquer que le convertisseur CA/CC de l'onduleur est activé.
- 9. Témoin DEL “ BATTERY ” (batterie)** : Cette lumière rouge clignotera lorsque l'onduleur fonctionnera sur batterie pour fournir du courant CA à l'équipement connecté. Une alarme résonnera; on peut l'assourdir en appuyant simultanément sur les boutons “ ENTER ” et “ SELECT ” pendant ¼ seconde. L'alarme sera muette, mais le témoin DEL restera allumé.
- 10. Témoin DEL “ CC/CA ” (Inverseur)** : Cette lumière verte sera constamment allumée pour indiquer que l'inverseur CC/CA de l'onduleur est activé.
- 11. Témoin DEL “ O/P ” (sortie)** : Cette lumière verte sera constamment allumée pour indiquer que votre onduleur fournit du courant CA à l'équipement connecté.
- 12. Bouton “ EMERGENCY POWER OFF ”** : Ce bouton arrête la puissance de sortie de l'onduleur et désactive la dérivation. Quand vous avez appuyé sur le bouton, il restera à l'arrêt jusqu'à ce qu'il soit redémarré. Pour démarrer l'onduleur et restaurer la puissance de sortie appuyer une fois sur le bouton “ Emergency Power Off ” Button et il reviendra en place. Si les disjoncteurs d'entrée sont désarmés, les réarmer. Appuyer sur le bouton “ OFF ” pendant 3 secondes (jusqu'à l'audition d'un bip); cela mettra l'onduleur en “ Bypass Mode ” (mode de dérivation). Appuyer ensuite sur le bouton “ ON ” pendant une seconde. L'onduleur redémarrera si le courant de secteur est présent.

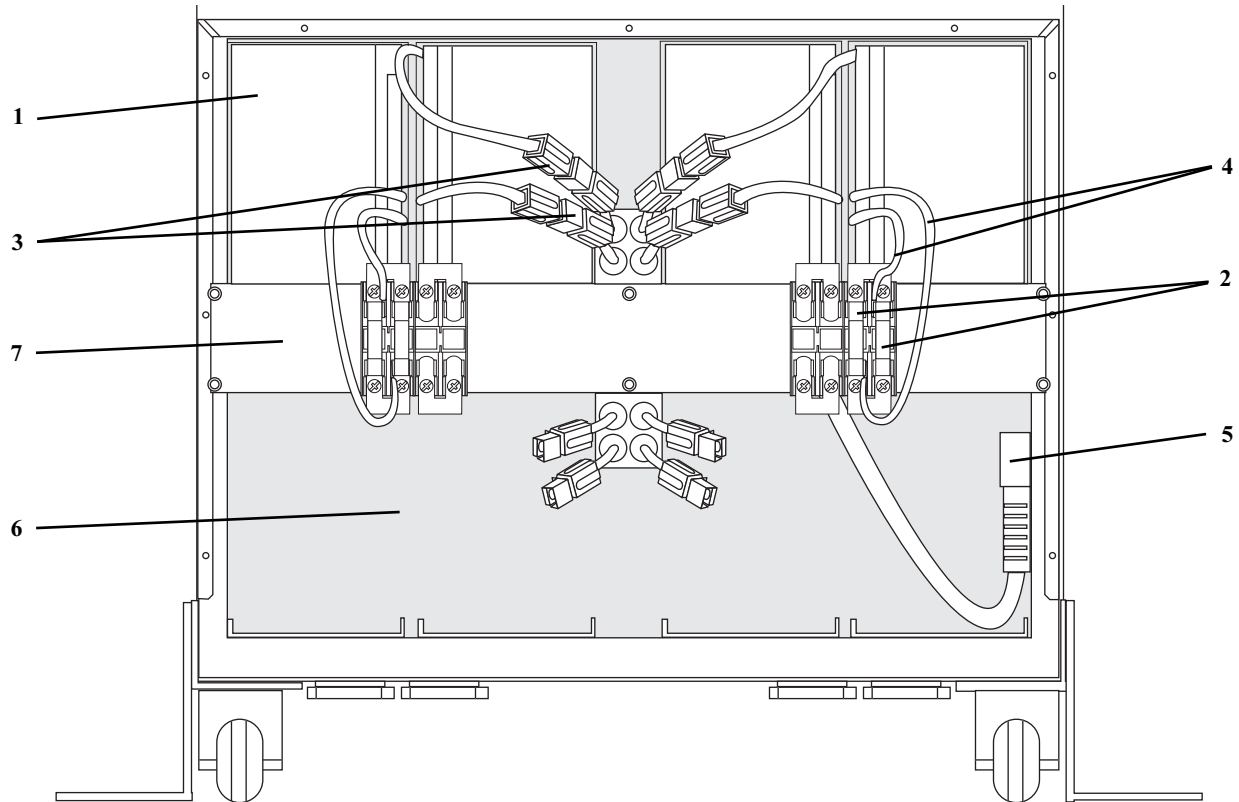
13. Écran ACL : Cet écran rétroéclairé à matrice de points montre un large éventail de conditions de fonctionnement et de données diagnostiques de l'onduleur. Il s'allumera après que vous ayez terminé correctement l'installation et la mise en route et que le bouton “ ON ” ait été enfoncé.

Note : Le rétroéclairage de l'écran ACL s'éteindra 10 minutes après qu'un des boutons suivants du panneau avant ait été enfoncé : “ SELECT ”, “ ENTER ” ou “ ON ”. Pour allumer le rétroéclairage de l'écran ACL, appuyer un instant sur un des boutons suivants du panneau : “ SELECT ”, “ ENTER ” ou “ ON ”.

Ventilateurs (non montrés) : Ceux-ci refroidissent et ventilent l'intérieur de l'onduleur.

PANNEAU D'ACCÈS AUX BATTERIES (carter enlevé)

Les modèles peuvent être légèrement différents du schéma.

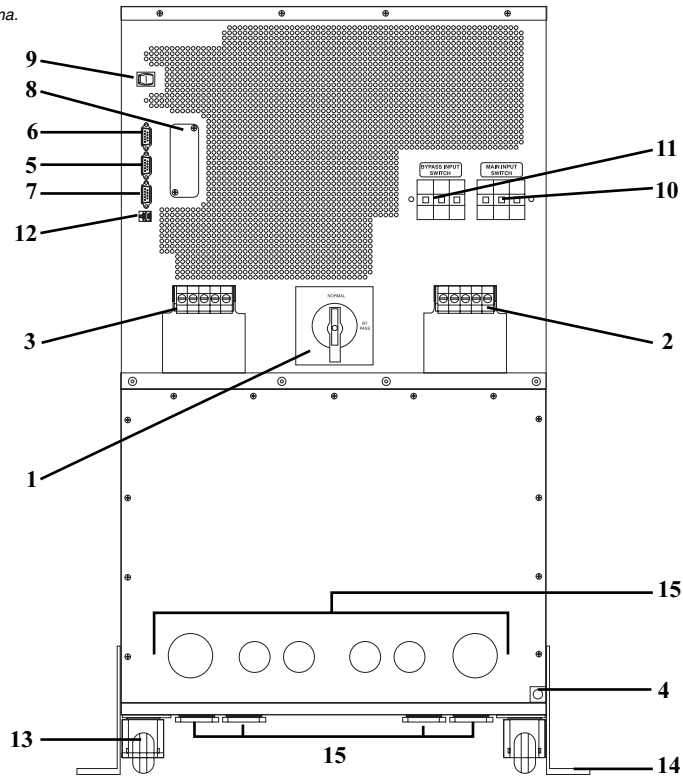


- 1. Bloc-batteries internes :** Ils fournissent une durée de fonctionnement de secours d'alimentation à l'équipement connecté. Chaque bloc consiste en deux chaînes (une positive et une négative). Le nombre de batteries par bloc dépend du modèle d'onduleur. Un électricien qualifié doit remplacer les blocs de batteries. Voir la section " Ajout et remplacement des batteries internes " pour les détails.
- 2. Fusibles à cartouche pour batterie :** Protègent contre les court-circuits. En cas de surcharge ou de court-circuit, un fusible sautera. Un bloc batterie avec un fusible sauté ne livrera pas de tension de sortie à l'onduleur. Un électricien qualifié doit remplacer les fusibles. Voir " Remplacement des fusibles " dans la section " Ajout et remplacement des batteries internes " pour les détails.
- 3. Connecteurs de blocs de batterie internes (Rouge et Noir) :** Connectent les blocs de batterie internes individuels au système global de batteries.
- 4. Câble de pontage de blocs de batterie internes (Blanc et bleu) :** Connectent les chaînes de blocs de batterie interne ensemble à l'aide de la boîte de fusibles.
- 5. Connecteurs du système de batteries :** Un connecteur (interne, non montré) connecte le module de batterie au module d'alimentation. L'autre connecteur (montré) connecte le module de batterie à un autre module de batterie optionnel (non montré, en vente séparément chez Tripp Lite). Les connecteurs du système de batteries sont seulement utilisés lors de l'ajout d'un autre module de batterie. L'utilisation de ces connecteurs est expliquée dans le manuel du propriétaire joint au module de batterie supplémentaire.
- 6. Possibilité de prolongation de la durée de fonctionnement :** Des fentes sont disponibles pour d'autres blocs de batterie interne (en vente séparément chez Tripp Lite) pour prolonger la durée de fonctionnement. Le nombre de fentes varie selon le modèle d'onduleur. Tous les modèles acceptent la connexion d'un module de batterie supplémentaire (en vente séparément chez Tripp Lite) pour prolonger la durée de fonctionnement. Communiquer avec Tripp Lite pour les détails.
- 7. Attache de bloc-fusibles :** Accepte les fusibles à cartouche pour batterie.

Panneau arrière

PANNEAU ARRIÈRE

Les modèles peuvent être légèrement différents du schéma.



- 1. Commutateur manuel de dérivation :** Ce cadran sert à mettre l'onduleur en mode " BYPASS " (dérivation); ceci doit être fait avant d'effectuer un entretien de l'onduleur supportant une charge connectée.. [Voir " Fonctionnement (Conditions spéciales) " pour des directives étapes par étapes pour se mettre sur " BYPASS "] Lorsque ce commutateur est sur " BYPASS ", l'équipement connecté recevra le courant de secteur CA filtré mais ne recevra pas l'alimentation de la batterie dans le cas d'une panne.
- 2. Bornier d'entrée (couvercle enlevé) :** Utiliser ces bornes pour connecter votre onduleur à l'entrée d'alimentation du réseau CA. Dévisser et retirer la plaque du bornier pour y accéder.
- 3. Bornier d'entrée (couvercle enlevé) :** Utiliser ces bornes pour connecter votre onduleur à l'équipement. Dévisser et retirer la plaque du bornier pour y accéder.
- 4. Patte de mise à la terre :** Connecte l'onduleur à la terre. Voir la section Installation.
- 5. Port d'interface AS-400 :** Ce port femelle DB9 connecte votre onduleur à une interface d'ordinateur IBM AS-400 par un câble AS-400. Il utilise les communications AS-400 pour rapporter le statut et les conditions d'alimentation de l'onduleur. À l'aide de ce port, un ordinateur IBM AS-400 peut sauvegarder automatiquement les fichiers ouverts et fermer son système d'exploitation durant une panne. Voir " Communications " pour les détails.
- 6. Port d'interface RS-232 " Smart " :** Ce port femelle DB9 connecte votre onduleur à un poste de travail ou à un serveur. Il utilise les communications RS-232 pour rapporter le statut et les conditions d'alimentation de l'onduleur. Il est utilisé avec un logiciel de Tripp Lite et un câble RS-232 pour surveiller et gérer l'alimentation du réseau et pour sauvegarder automatiquement les fichiers ouverts et fermer son système d'exploitation durant une panne. Voir " Communications " pour les détails.
- 7. Port d'interface à contact sec :** Ce port femelle DB9 envoie des signaux de fermeture de contact pour indiquer une défaillance de ligne et un état de batterie faible. Voir " Communications " pour les détails.
- 8. Fente pour accessoires :** Enlever le petit panneau fermant cette fente pour installer des accessoires en option permettant de surveiller et de contrôler votre onduleur à distance. Communiquer avec le service à la clientèle de Tripp Lite pour plus de renseignements, y compris la liste des SNMP et des produits de gestion de réseau et de connectivité disponibles.
- 9. Commutateur " Démarrage de batterie " :** Ce commutateur à bascule momentanée vous permet de " démarrer à froid " votre onduleur et de l'utiliser comme source d'alimentation autonome quand l'alimentation CA de secteur est absente. Le commutateur met en marche l'onduleur CC/CA de l'onduleur. Avant de " démarrer à froid " votre onduleur, vérifier qu'il est bien installé. Appuyer sur le commutateur " Battery start " et le maintenir, puis appuyer sur le bouton ON pour mettre en marche votre onduleur. Pour l'arrêter après un " démarrage à froid ", appuyer sur le bouton OFF.
- 10. Commutateur d'entrée principal :** Le disjoncteur contrôle l'alimentation d'entrée CA de l'onduleur pendant son fonctionnement normal.
- 11. Commutateur d'entrée de dérivation :** Le disjoncteur contrôle l'alimentation d'entrée CA de l'onduleur pendant son fonctionnement en mode " BYPASS ".
- 12. Connecteur à distance " Emergency Power OFF " (EPO) :** Ce jack modulaire permet la mise hors tension d'urgence. Voir " Communications " pour les détails.
- 13. Roulettes :** Les roulettes pivotantes de l'onduleur sont conçues uniquement pour des ajustements de position dans l'aire finale d'installation et non pour déplacer l'onduleur sur de longues distances. **NOTE : Les roulettes ne sont pas conçues pour un support à long terme de l'onduleur après l'installation finale. Il faut installer l'onduleur à l'aide de brides de fixation. Voir la section Installation.**
- 14. Brides de fixation :** Aide à supporter l'onduleur. **NOTE : Il faut installer l'onduleur à l'aide de brides de fixation. Voir la section Installation.**
- 15. Points d'accès pour câbles :** Permettent l'accès au panneau arrière ou inférieur pour des connexions électriques.

Installation

MISES EN GARDE RELATIVES À LA LOCALISATION DE L'ONDULEUR

Déplacer votre onduleur à l'aide des roulettes sur de courtes distances. **NOTE : Les roulettes ne sont pas conçues pour un support à long terme de l'onduleur après l'installation finale. Il faut installer l'onduleur à l'aide de brides de fixation.**

IL FAUT INSTALLER L'ONDULEUR À L'AIDE DE BRIDES DE FIXATION

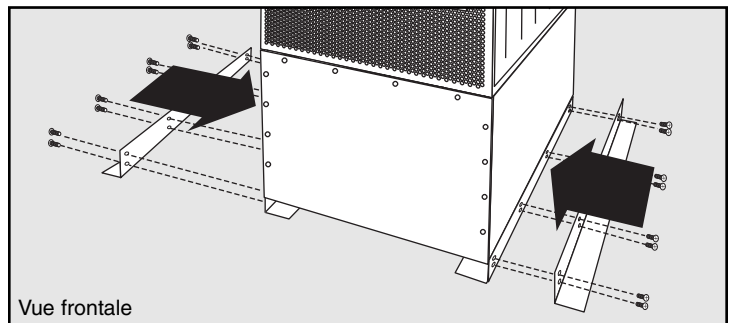


DANGER!

RISQUE D'ENDOMMAGER LE PRODUIT ET DE SÉRIEUSES BLESSURES PERSONNELLES.

Les roulettes ne sont pas conçues pour un support à long terme de l'onduleur après l'installation finale. **IL FAUT INSTALLER L'ONDULEUR À L'AIDE DE BRIDES DE FIXATION.** Si les brides de fixation ne sont pas installées, les roues pourraient éventuellement briser en endommageant l'onduleur et en causant de sérieuses blessures personnelles.

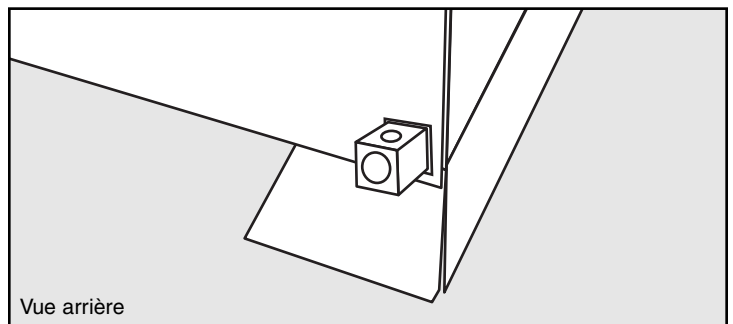
À l'aide des boulons inclus, poser une bride de fixation de chaque côté de l'onduleur comme indiqué. Au besoin, fixer la bride au sol à l'aide de la quincaillerie fournie.



Vue frontale

CONNEXION DE MISE À LA TERRE

À l'aide d'un câble de mise à la terre de calibre 4 AWG fourni par l'utilisateur, connecter la patte de mise à la terre à la prise de terre. Serrer les connexions avec un couple d'au moins 3,9NM (35 lb au po). Conserver le fil de mise à la terre connecté en tout temps après l'installation.



Vue arrière

CONNEXION D'ENTRÉE ET DE SORTIE À RACCORDEMENT FIXE DE L'ONDULEUR

En plus des instructions suivantes, suivre toutes les mises en garde de la section Sécurité avant la connexion.

- Installer avec un câble flexible d'une longueur suffisante pour déplacer l'onduleur de façon à y avoir accès pour le service (côtés et arrière).
- Utiliser des capuchons bagueés pour couvrir les câbles connectés à l'onduleur afin d'éviter que des extrémités effilochées fassent court-circuit avec le bornier.
- Le conducteur neutre doit être du même calibre que les conducteurs de courant.

SÉLECTION DU CÂBLAGE

Choisir un câblage approprié (VW-1, FT-1 ou mieux) pour connecter votre onduleur à une source de courant CA et à votre équipement.

Modèle d'onduleur	Calibre du câble
20kVA	6 AWG / 14 mm ²
30kVA	4 AWG / 22 mm ²

Longueur maximale du câble : 10 m (32,8 pi)

Installation (suite)

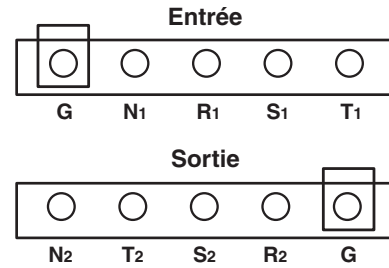
CONNEXION DU CÂBLAGE

Connecter votre câblage aux borniers d'entrée et de sortie situés sur le panneau arrière de l'onduleur (voir figure ci-dessous).

ATTENTION!

Un personnel qualifié devrait suivre toutes les procédures prescrites par le N.E.C (Code national d'électricité) et autres codes locaux pour le raccordement fixes d'appareils à une source du réseau. Vérifier que les câbles passent dans des gaines et sont fixés par des serre-câbles. Serrer les connexions avec un couple supérieur à 35 livres au pouce. Observer les règlements de connexion de câbles appropriés [par ex. le code national d'électricité (NEC) aux États-Unis] en tout temps. Utiliser des câbles de mauvais calibre peut endommager votre équipement et causer des risques d'incendie.

NOTE : Lors de l'expédition d'usine, les fils d'entrée principaux et ceux de dérivation sont connectés.



PREMIÈRE CHARGE DE LA BATTERIE

Bien que les batteries internes soient chargées avant d'être expédiées, les laisser en charge ininterrompue pendant 24 heures après l'installation initiale.

Fonctionnement (Conditions normales)

METTRE L'ONDULEUR EN MARCHÉ

- Vérifier que l'onduleur est correctement installé (voir la section Installation) et que le commutateur de dérivation manuel est sur NORMAL.
- Enclencher les disjoncteurs d'entrée CA et d'entrée de dérivation.
- Si votre entrée CA fournit une alimentation normale dans la gamme sélection, votre charge connectée recevra du courant en dérivation. Cependant, l'inverseur de l'onduleur n'est pas encore en fonction. Appuyer sur le bouton avant " ON " pour débiter le fonctionnement de l'inverseur.
- Si votre entrée CA ne fournit pas assez de courant, vous pouvez faire le choix de démarrer à l'aide de la batterie. (Votre batterie doit être au moins chargée partiellement pour que cette opération réussisse.) Appuyer sur le commutateur " Battery start " et le commutateur ON/OFF et les maintenir pendant trois secondes pour démarrer votre onduleur en mode " BATTERIE ". Noter que certains équipements électroniques peuvent demander plus ampérage au démarrage; en démarrant à l'aide de la batterie, envisager de réduire la charge initiale de l'onduleur.
- L'onduleur exécutera un bref auto-test et montrera les résultats sur l'écran ACL. (Voir la section Auto-test pour la séquence d'affichage) Après un auto-test réussi, l'onduleur fournira suffisamment de courant de l'inverseur pour votre charge.

ARRÊTER L'ONDULEUR

- Appuyer sur le bouton " OFF ". Votre charge recevra encore du courant. L'inverseur est maintenant arrêté, mais votre onduleur n'est pas totalement désactivé. L'écran ACL affichera " ON BYPASS " (DÉRIVATION)
- Déclencher les disjoncteurs d'entrée CA et d'entrée de dérivation. Votre équipement ne recevra plus de courant et l'écran ACL deviendra noir.

NOTE : Si l'onduleur reste à l'arrêt pendant une longue période, il faut le remettre en marche périodiquement pour permettre à ses batteries internes de se recharger. L'onduleur doit être remis en marche et ses batteries internes rechargées pendant une période ininterrompue d'au moins 24 heures tous les 3 mois. Ne pas fournir de recharge périodique pourrait endommager les batteries de manière irréversible.

EXÉCUTION D'UN AUTO-TEST

Quand vous mettez l'onduleur en marche, il exécutera un bref auto-test. Voir les tableaux suivants pour les séquences d'affichage.

Séquence d'affichage quand le courant de secteur est présent :

SELF TESTING...
RECTIFIER OK
CHARGER OK
BATTERY OK
DC TO DC OK
INVERTER TEST

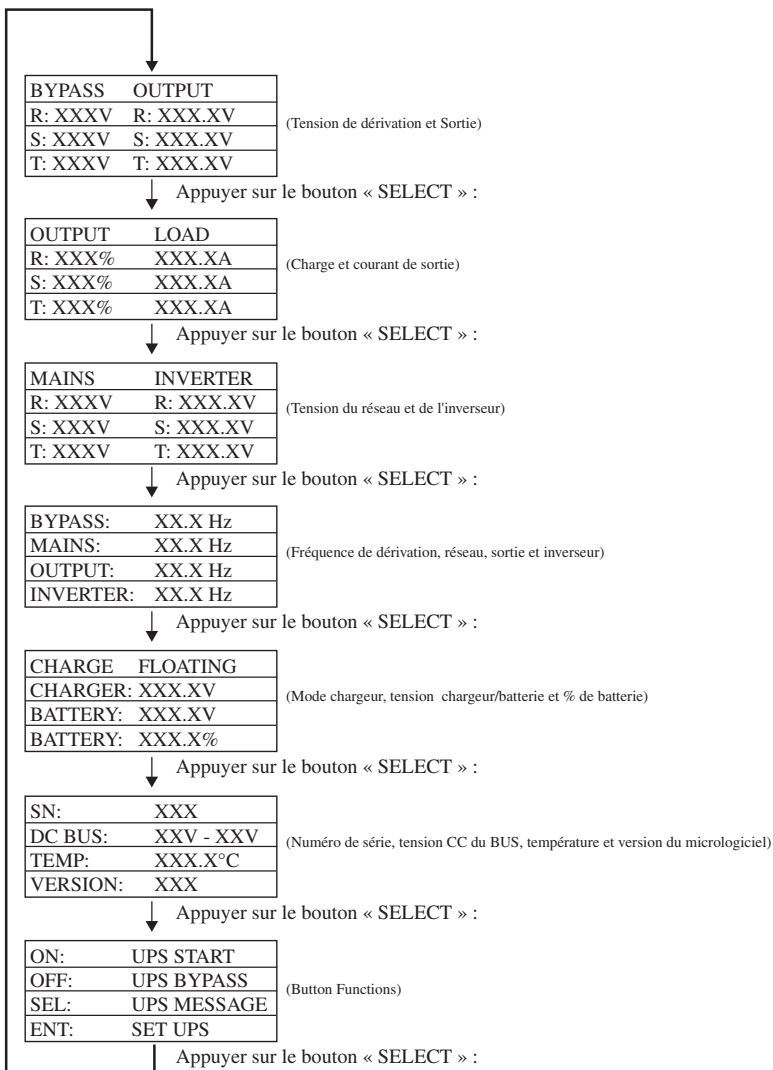
Séquence d'affichage quand le courant de secteur est absent : (Possible uniquement avec le commutateur " Battery Start ")

SELF TESTING...
BATTERY OK
DC TO DC OK
INVERTER TEST

Fonctionnement (Conditions normales) *(suite)*

BOUTON DE SÉLECTION DE L'ÉCRAN ACL

Appuyer un instant sur le bouton « SELECT » sur le panneau avant pour naviguer parmi les différentes lectures sur l'écran ACL.



Fonctionnement (Conditions spéciales)

FONCTIONNEMENT EN DÉRIVATION—TENSION HORS PLAG

Lorsqu'il est en mode de dérivation, l'onduleur surveille la tension d'entrée qui, en dérivation, est égale à la tension de sortie. Si la tension de sortie dépasse une plage acceptable (entre 15 % plus élevée et 20 % moins élevée que la tension nominale) l'onduleur affiche la condition sur l'ACL et cesse d'alimenter sa charge. Si la puissance revient à un niveau acceptable, l'onduleur reprend l'alimentation de la charge et son ACL indique que la tension de sortie était trop ou pas assez élevée à un moment mais qu'elle est revenue à la normale.

Condition de tension en dérivation	Message sur l'écran ACL :
>15 % de plus que la tension nominale	BYPASS HI NO O/P
>20 % de moins que la tension nominale	BYPASS LO NO O/P
Était trop élevée, maintenant nominale	BYPASS WAS HI
Était trop basse, maintenant nominale	BYPASS WAS LO

Fonctionnement (Conditions spéciales) *(suite)*

MISES EN GARDE : INVERSEUR EN MARCHÉ

Quand l'inverseur est en marche, l'écran ACL peut montrer n'importe laquelle des mises en garde suivantes :

Condition	Message sur l'écran ACL :
Surcharge de sortie de l'onduleur	OVERLOAD 110%
Défaillance du chargeur	CHARGER FAILURE
Fréquence anormale d'entrée	FREQUENCY ERROR
Phase anormale d'entrée	PHASE ABNORMAL!
La batterie se décharge*	ON BATTERY
La batterie est presque déchargée*	BATTERY LOW

* Pendant une panne prolongée, les utilisateurs doivent sauvegarder leurs fichiers et arrêter l'équipement connecté. Le message " BATTERY LOW " indique que les batteries de l'onduleur sont presque vides et que son arrêt est imminent.

FONCTIONNEMENT PENDANT UN ARRÊT

Votre onduleur s'arrêtera et l'écran ACL affichera un message s'il détecte un des conditions suivantes. Note : Pour toutes les conditions, les témoins DEL " Input ", " Output " et " Bypass " seront allumés.

Condition	Message sur l'écran ACL
Arrêt de surcharge	ON BYPASS OVERLOAD 150% SHUTDOWN... VERSION: XXXXXXXX
Court-circuit à la sortie de l'onduleur	ON BYPASS SHORT CIRCUIT! SHUTDOWN... VERSION: XXXXXXXX
Surchauffe	ON BYPASS HIGH TEMP! SHUTDOWN... VERSION: XXXXXXXX
Surtension CC du BUS	ON BYPASS DC BUS O.V.P! SHUTDOWN... VERSION: XXXXXXXX
Panne CC du BUS	ON BYPASS DC BUS FAIL! SHUTDOWN... VERSION: XXXXXXXX

Condition	Message sur l'écran ACL
R/S/T Panne de sortie de l'inverseur	ON BYPASS R OUTPUT FAIL! SHUTDOWN... VERSION: XXXXXXXX
Batterie faible	BYPASS OFF NO O/P LOW BATTERY! SHUTDOWN... VERSION: XXXXXXXX
Arrêt à distance	BYPASS OFF NO O/P REMOTE SHUTDOWN SHUTDOWN... VERSION: XXXXXXXX
Arrêt d'urgence	BYPASS OFF NO O/P EMERGENCY STOP! SHUTDOWN... VERSION: XXXXXXXX

FONCTIONNEMENT DU COMMUTATEUR DE DÉRIVATION MANUELLE

Placer le commutateur sur " BYPASS " avant d'effectuer un entretien de l'onduleur supportant une charge connectée. L'équipement connecté recevra le courant de secteur CA filtré mais ne recevra pas l'alimentation de la batterie en cas d'une panne.

COMMUTER L'ONDULEUR EN MODE " BYPASS " (dérivation)

- Appuyer sur le bouton " OFF ".
- Tourner le commutateur " Manual Bypass " dans le sens horaire de NORMAL à BYPASS.
- Déclencher le disjoncteur d'entrée principale.

COMMUTER L'ONDULEUR EN MODE " NORMAL "

- Enclencher le disjoncteur d'entrée principale.
- Tourner le commutateur " Manual Bypass " dans le sens antihoraire de NORMAL à BYPASS.
- Appuyer sur le bouton " ON ".

Communications

INTERFACE RS-232

Ce port femelle DB9 connecte votre onduleur par un câble RS-232 à un poste de travail ou à un serveur équipé avec un logiciel Tripp Lite. Il utilise les communications RS-232 pour rapporter le statut et les conditions d'alimentation de l'onduleur. À l'aide de ce port, le logiciel Tripp Lite peut sauvegarder automatiquement les fichiers ouverts et fermer son système d'exploitation durant une panne. Communiquer avec le service d'assistance à la clientèle de Tripp Lite au (773) 869-1234 pour plus de renseignements au sujet des SNMP et des produits de gestion de réseau et de connectivité disponibles.

Les signaux et les opérations RS-232 comprennent : Niveau de charge, état de la batterie, niveau de la batterie, mode d'exploitation, tension d'entrée CA, tension de sortie CA, fréquence d'entrée CA, température intérieure de l'appareil, réglage du délai d'arrêt, activation/désactivation de l'alarme et arrêt à distance.

Matériel :

Débit en bauds	2400 BPS
Longueur de données:	8 bits
Bit d'arrêt	1 bit
Parité	Sans

Affectation de broche :

Broche 2:	TXD (Transmission de données)
Broche 3:	RXD (Réception de données)
Broche 5:	GND (retour commun du signal)

INTERFACE AS-400

Ce port femelle DB9 connecte votre onduleur à un ordinateur IBM AS-400 par un câble AS-400. Il utilise les communications AS-400 pour rapporter le statut et les conditions d'alimentation de l'onduleur. Il peut servir pour permettre à un AS-400 de sauvegarder automatiquement les fichiers ouverts et de fermer son système d'exploitation durant une panne. Le protocole de l'AS-400 comprend : Fonctionnement sur inverseur, fonctionnement sur réseau CA, fonctionnement sur batterie et alarme de batterie faible.

Affectation de broche :

Broche 5 :	Neutre
Broche 6 :	Fonctionnement sur courant CA
Broche 7 :	Alarme de batterie faible
Broche 8 :	Fonctionnement sur inverseur
Broche 9 :	Fonctionnement sur batterie

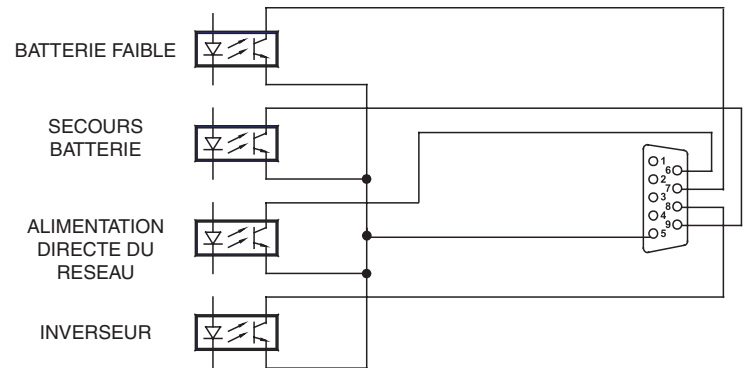


TABLE D'INTERFACE AS-400

	Broche 6,5	Broche 7,5	Broche 8,5	Broche 9,5
Batterie	ARRET	*	MARCHE	MARCHE
Batterie faible	ARRET	MARCHE	MARCHE	MARCHE
Alimentation directe du réseau	MARCHE	ARRET	ARRET	ARRET
Inverseur	ARRET	*	MARCHE	*

* Inactif : Peut être dans les deux états.

INTERFACE CONTACT SEC

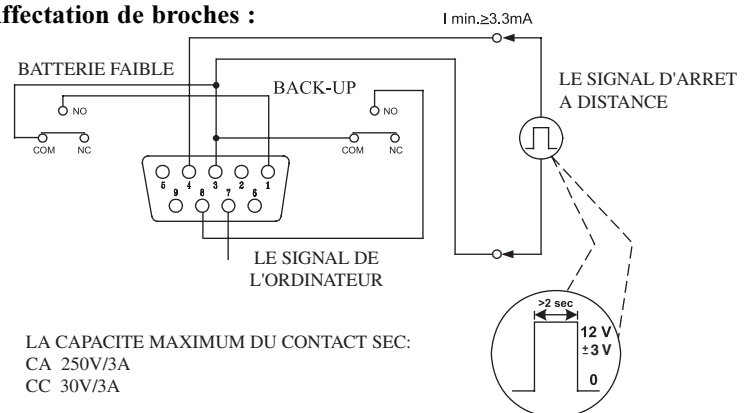
Ce port femelle de fermeture par contact DB9 envoie des signaux de fermeture de contact à l'onduleur pour indiquer qu'il se trouve sur secours de batterie et que ses batteries sont faibles. Le port peut aussi recevoir un signal d'arrêt à distance.

TABLEAU D'INTERFACE À CONTACT SEC

Mode de fonctionnement de l'onduleur	Pin 8,3	Pin 1,3
Normal	OUVERT	OUVERT
Secours	FERME	*
Batterie faible	FERME	FERME

* Inactif : Peut être dans les deux états.

Affectation de broches :

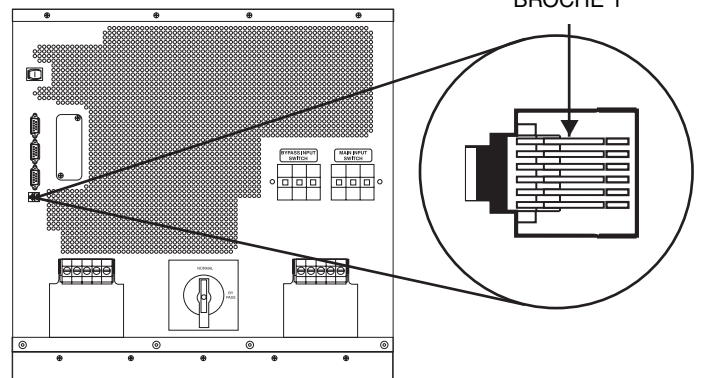
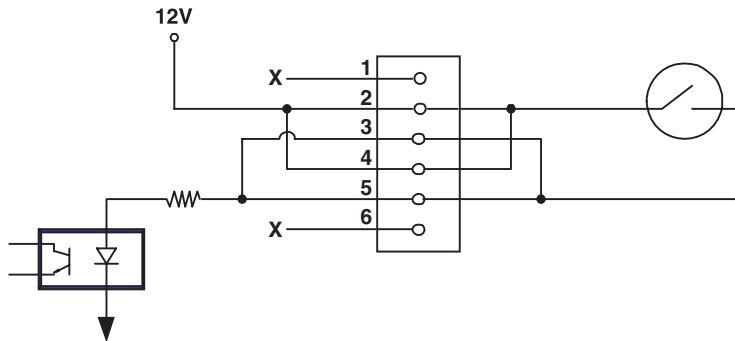


Communications (suite)

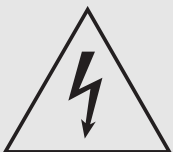
ARRÊT D'URGENCE [EMERGENCY POWER OFF (EPO)] À DISTANCE

Cette caractéristique en option est uniquement pour les applications qui nécessitent une connexion au circuit d'arrêt d'urgence d'une installation. Quand l'onduleur est connecté à ce circuit, il active l'arrêt d'urgence de la sortie. À l'aide d'un câble fourni par l'utilisateur, connecter le port EPO de l'onduleur à un commutateur à distance fourni par l'utilisateur. Le port EPO n'est pas un parasurtenseur de ligne téléphonique; ne pas connecter de ligne téléphonique à ce port. Les affectations de broches pour le port EPO sont montrées dans le schéma suivant. Note : S'il y a un court-circuit entre les broches 2 et 3, 2 et 5, 4 et 5, ou 3 et 4, l'onduleur sera mis hors tension. Pour redémarrer après un arrêt d'urgence à distance, vérifier qu'il y a du courant entrée du réseau, que les disjoncteurs d'entrée sont enclenchés et que le signal d'arrêt à été retiré du circuit EP. Appuyer sur le bouton " OFF " du panneau avant pendant 2 à 3 secondes (jusqu'à l'audition d'un bip); cela mettra l'onduleur en " Bypass Mode " (mode de dérivation). Appuyer ensuite sur le bouton " ON " pendant une seconde. L'onduleur redémarrera si le courant de secteur est présent.

Affectation de broche :



Ajout et remplacement des batteries internes



DANGER!

HAUTE TENSION POTENTI MORTELLE! POUR ÉLECTRICIENS QUALIFIÉS UNIQUEMENT!

Suivre toutes les mesures de sécurité de la section Sécurité avant d'ajouter ou de remplacer batteries internes.



DANGER!

NE PAS RETIRER LA GAINE DE BATTERIE!

Ne pas retirer la gaine de plastique recouvrant les chaînes de batterie. Cette gaine est conçue pour empêcher un contact accidentel avec les bornes des batteries individuelles. Le contact avec les bornes pourrait entraîner des blessures sérieuses ou la mort dues à une haute tension fatale. Ne pas laisser des outils ou d'autres objets métalliques venir en contact avec les bornes.

ATTENTION!

LES BLOCS DE BATTERIE SONT LOURDS!

Demander l'aide d'assistants au besoin.

MISE EN GARDE!

VÉRIFIER LA TENSION DU BLOC DE BATTERIE AVANT DE TERMINER L'INSTALLATION

Ne pas installer de blocs de batterie dont les tensions CC ne sont pas dans les plages acceptables. (Ils pourraient compromettre les capacités de secours de la batterie).

NOTE!

Chaque bloc de batterie consiste en deux chaînes de batteries: Une chaîne avec un câble NOIR et une chaîne avec un câble ROUGE.

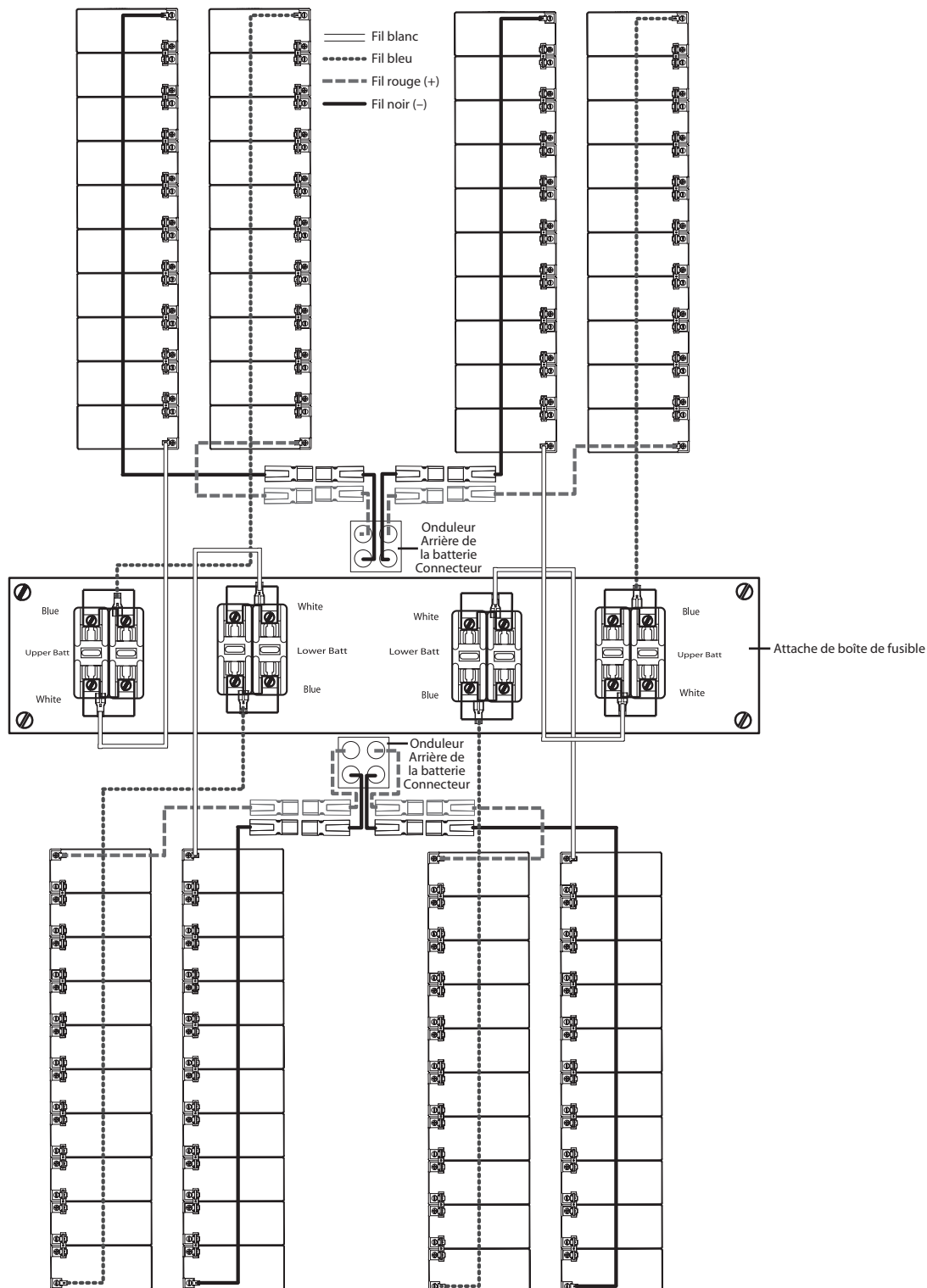
Les batteries sont conçues pour le remplacement à chaud qui permet à l'équipement connecté de recevoir le courant CA du réseau en permanence (mais pas de secours de batterie en cas de panne) pendant la procédure d'installation de la batterie. Voir " Fonctionnement du commutateur de dérivation manuelle " dans la section Fonctionnement. Bien que les batteries puissent être remplacées à chaud, du personnel qualifié pourrait arrêter l'onduleur pendant l'installation de la batterie. Voir " Arrêter l'onduleur " dans la section Fonctionnement.

Il faut remplacer les batteries internes par des batteries équivalentes en vente chez Tripp Lite. L'ajout de blocs de batterie augmentera la durée de la recharge. Les modèles peuvent être légèrement différents des schémas.

Ajout et remplacement des batteries internes (suite)

SCHÉMA DU CÂBLAGE INTERNE D'UN BLOC DE BATTERIE

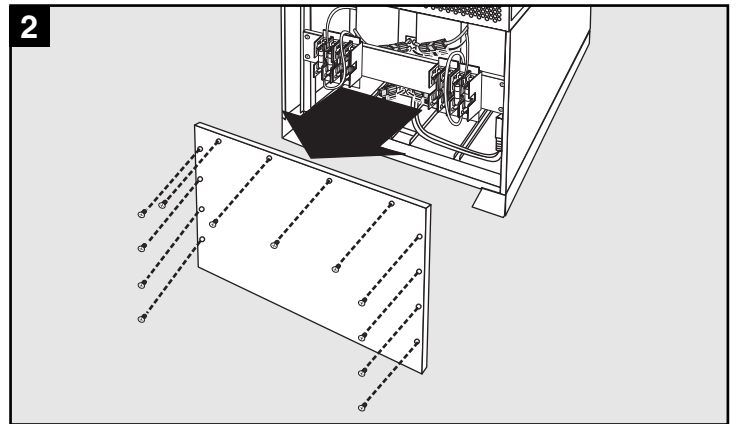
Le personnel de service qualifié devra se familiariser avec le schéma du câblage avant d'ajouter ou de remplacer des batteries. Le module de batterie peut accepter jusqu'à quatre blocs de batterie (chaque bloc consistant en deux chaînes). Le schéma montre les quatre blocs de batterie connectés, uniquement à des fins illustratives. Le nombre réel de batteries expédié avec l'onduleur dépend du numéro de modèle.



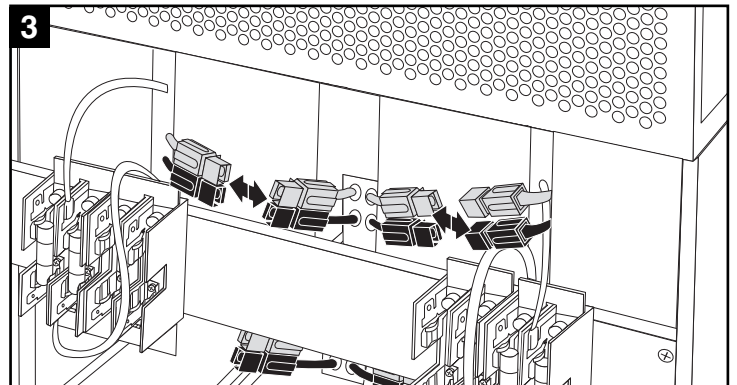
Ajout et remplacement des batteries internes (suite)

1 Placer l'onduleur en mode de dérivation ou l'arrêter complètement, à votre choix. Voir " Fonctionnement du commutateur de dérivation manuelle " ou " Arrêter l'onduleur " dans la section Fonctionnement.

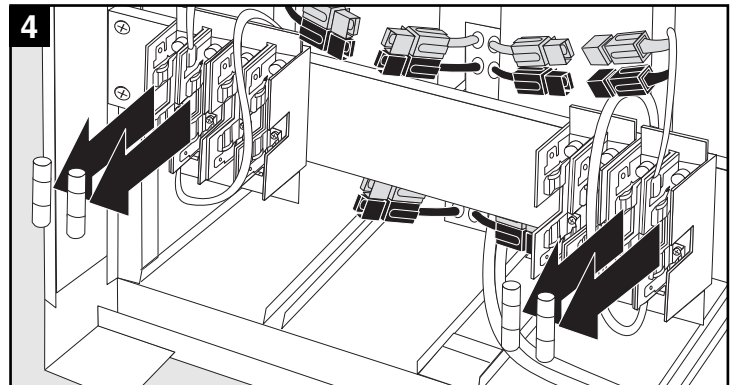
2 Retirer le panneau d'accès à la batterie, situé à l'AVANT de l'onduleur.



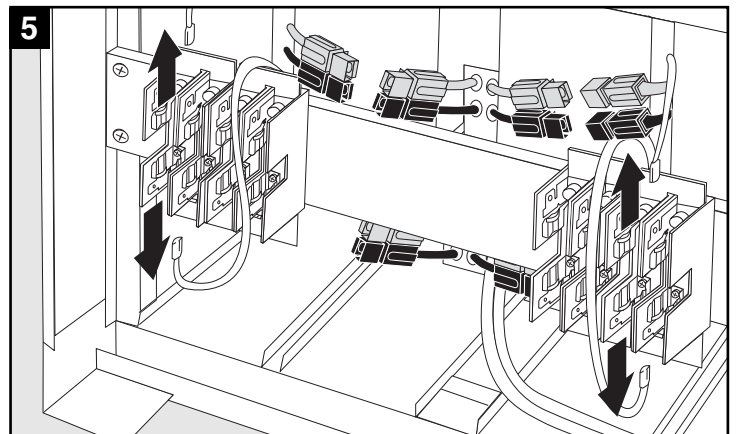
3 Déconnecter les câbles ROUGE et NOIR attachés à chaque bloc de batterie interne.



4 Retirer les fusibles à cartouche de batterie de chaque bloc-fusibles. Conserver les fusibles.



5 Déconnecter les câbles de pontage BLEU et BLANC attaché à chaque bloc-fusibles

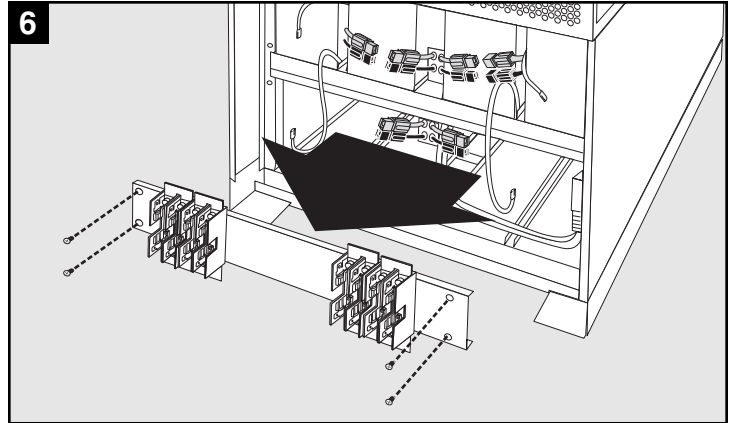


ATTENTION!

Lorsque vous déconnectez le câble de pontage, les retirer du bloc-fusibles avec une force égale. Ne pas les secouer d'un bord à l'autre car cela pourrait endommager le connecteur.

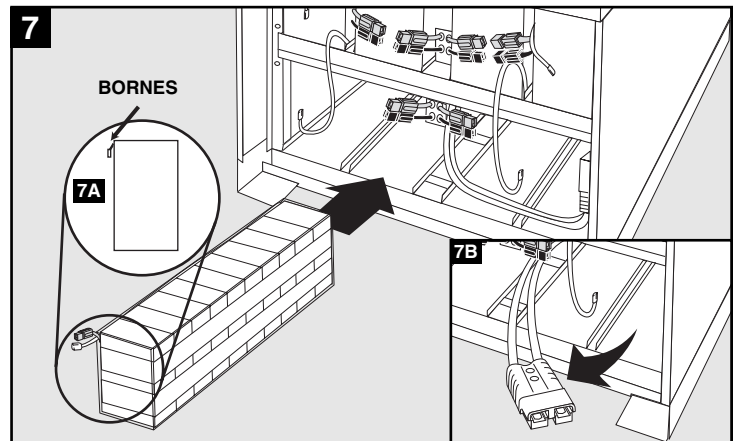
Ajout et remplacement des batteries internes (suite)

6 Retirer l'attache du bloc-fusibles.

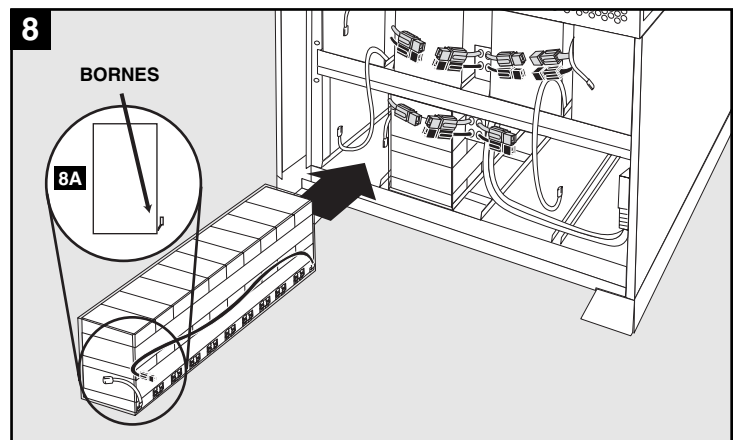


7 Faire glisser la chaîne de batteries avec un câble ROUGE dans une fente vide du compartiment de batterie comme montré. Vérifier que la chaîne est orientée comme le montre le schéma **7A**.

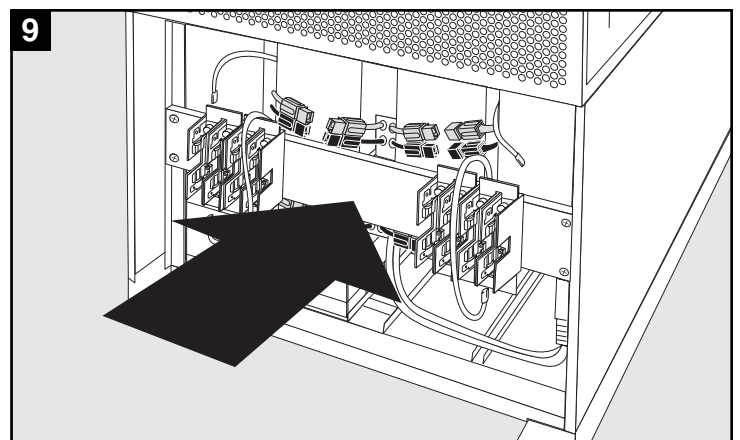
*NOTE : Si le connecteur de la batterie auxiliaire gêne, retirer sa vis de montage et déplacer le câble afin de laisser suffisamment de place pour ajouter les chaînes de batterie **7B**.*



8 Faire glisser la chaîne de batterie avec le câble NOIR à côté (à gauche) dans la fente vide comme montré. Vérifier que la chaîne est orientée comme le montre le schéma **8A**.

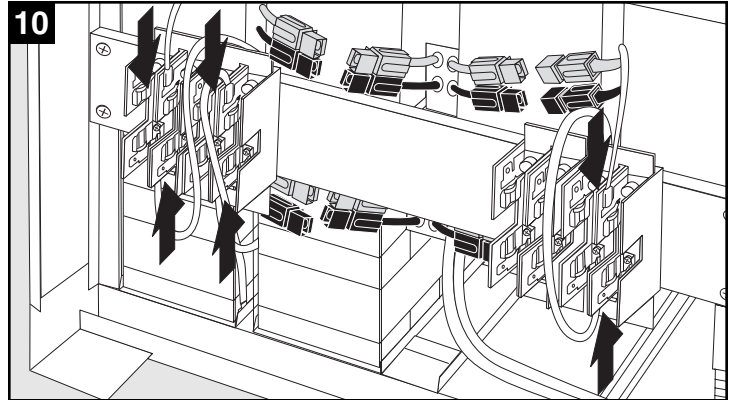


9 Replacer l'attache du bloc-fusibles. Vérifier que l'impression sur l'attache est orientée pour être lisible.

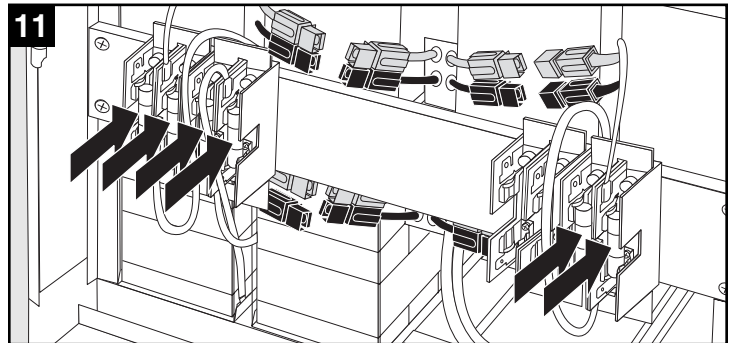


Ajout et remplacement des batteries internes (suite)

- 10** Connecter les câbles de pontage **BLEU** et **BLANC** de chaque bloc de batterie interne à son bloc-fusibles correspondant. Voir l'impression à côté de chaque bloc-fusibles pour repérer le celui qui correspond à chaque câble.



- 11** Retirer les fusibles à cartouche de batterie de chaque bloc- fusibles. Les fusibles sont identiques et peuvent être insérer dans n'importe quel bloc. Vérifier que les fusibles sont bien enclenchés.



DANGER!

IL FAUT INSÉRER LES FUSIBLES À CARTOUCHE DE BATTERIE EN DERNIER À CAUSE DU DANGER POTENTIEL D'ARC ÉLECTRIQUE ENTRE LES CONNECTEURS.

REEMPLACEMENT DE FUSIBLE

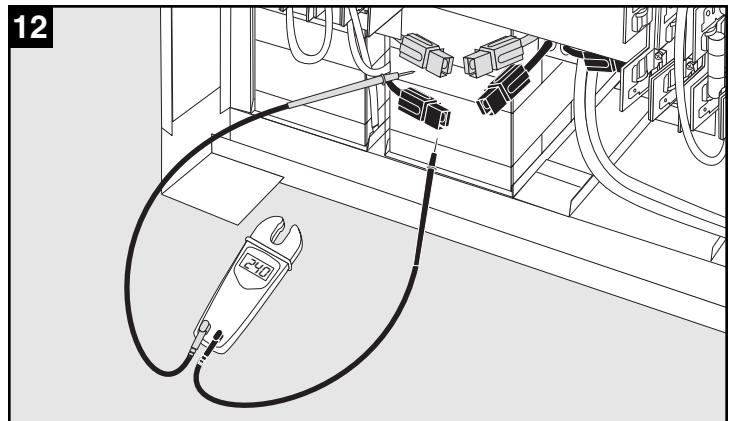
Les fusibles protègent contre les court-circuits. En cas de surcharge intense ou de court-circuit, un fusible sautera. Un bloc batterie avec un fusible sauté ne livrera pas de tension de sortie à l'onduleur.



DANGER!

Un électricien qualifié doit remplacer les fusibles. Pour réduire le risque d'incendie, remplacer uniquement par des fusibles du même type ou classe (fusibles à cartouche 30A 600VDC homologués UL).

- 12** Utiliser un voltmètre (fourni par l'utilisateur) pour tester la tension du bloc de batterie. Observer la bonne polarité : Connecter la sonde **NOIRE** du voltmètre au connecteur **NOIR** du bloc de batterie et sonde **ROUGE** au connecteur **ROUGE**. Pour obtenir une bonne lecture, vérifier que les sondes du voltmètre touchent les contacts métalliques à l'intérieur des connecteurs du bloc de batterie. **La plage de tension CC acceptable d'un bloc de batterie se situe entre 220 et 280 v CC.** Si lors de plusieurs essais, les tests du voltmètre indiquent des résultats hors de cette plage, contacter Tripp Lite pour de l'assistance afin de déterminer les causes possibles de ces mauvaises lectures de tension.



Ajout et remplacement des batteries internes (suite)

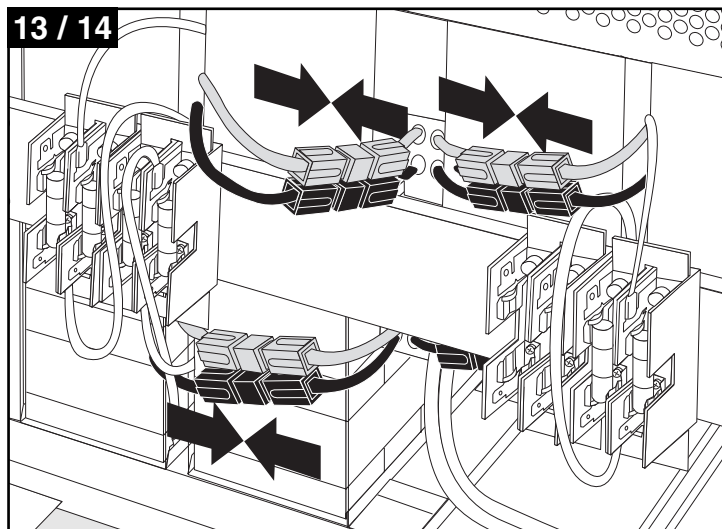


MISE EN GARDE!

OBSERVER LA BONNE POLARITÉ!

Connecter **NOIR-à-NOIR** et **ROUGE-à-ROUGE**. Ne pas observer la bonne polarité endommagera l'onduleur de façon permanente et créera l'éventualité de blessures personnelles sérieuses.

- 13** Connecter le câble **NOIR** de chaque bloc de batterie interne au plus proche connecteur **NOIR** situé à l'intérieur du module de batterie de l'onduleur.
- 14** Connecter le câble **ROUGE** de chaque bloc de batterie interne au plus proche **ROUGE** situé à l'intérieur du module de batterie de l'onduleur.
- 15** Reposer le panneau d'accès à la batterie.
- 16** Remettre l'onduleur en mode Normal ou le remettre en marche complètement, selon la procédure suivie à l'étape 1. Voir " Fonctionnement du commutateur de dérivation manuelle " ou " Arrêter l'onduleur " dans la section Fonctionnement.



Service

Votre onduleur SmartOnline triphasé est couvert par la garantie limitée suivante. Des programmes de garantie prolongée (2, 3 et 4 ans) et de service de mise en route sont disponibles. Pour plus de renseignements, appeler l'assistance à la clientèle de Tripp Lite au (773) 869-1234.

Garantie

Garantie limitée de l'onduleur triphasé

Le vendeur garantit que ce produit, s'il est utilisé selon toutes les consignes applicables telles que vérifiées par le service de mise en route de Tripp Lite, est exempt de défauts initiaux de matériel et de fabrication pour une période d'un an (aux É.-U. et au Canada) à dater de sa mise en route. Si le produit s'avère défectueux sur le plan matériel ou de la main-d'œuvre durant cette période, le vendeur le réparera ou le remplacera, gratuitement. Si le produit n'a pas été mis en route par un service autorisé de Tripp Lite, les pièces de rechange seront fournies, mais des frais de main-d'œuvre s'appliqueront selon les taux horaires publiés par Tripp Lite. Tripp Lite vous donnera toutes les garanties offertes par les fabricants des composants du produit Tripp Lite. Tripp Lite ne fait aucune représentation relativement à ces garanties et n'assume aucune responsabilité pour les garanties de ces composants. Le service relativement à cette garantie peut uniquement être obtenu en communiquant avec : Tripp Lite World Headquarters : 1111 West 35th Street, Chicago, IL 60609 USA; (773) 869-1234.

CETTE GARANTIE NE S'APPLIQUE PAS À L'USURE NORMALE OU AUX DOMMAGES DUS À UN ACCIDENT, UNE MAUVAISE UTILISATION, UN ABUS OU UNE NÉGLIGENCE. LE VENDEUR N'ACCORDE AUCUNE GARANTIE EXPRESSE AUTRE QUE CELLE CONTENUE DANS LES DISPOSITIONS CI-DESSUS SAUF DISPOSITIONS CONTRAIRES PRÉVUES PAR LA LOI. TOUTES LES GARANTIES IMPLICITES, Y COMPRIS LES GARANTIES DE QUALITÉ COMMERCIALE ET D'ADAPTATION À UN USAGE PARTICULIER, SONT LIMITÉES EN DURÉ À LA PÉRIODE DE GARANTIE PRÉCITÉE. CETTE GARANTIE EXCLUE EXPRESSÉMENT LES DOMMAGES ACCESSOIRES ET INDIRECTS. (Certains états n'autorisent pas les restrictions sur la durée d'une garantie implicite, et certains autres n'autorisent pas l'exclusion ni la restriction des dommages accessoires ou indirects. Par conséquent, ces restrictions ou exclusions pourraient ne pas s'appliquer à votre cas. Cette garantie vous donne des droits particuliers et vous pourriez avoir d'autres droits qui varient d'une juridiction à l'autre.)

* Aucune obligation d'achat. Nul là où la loi l'interdit. Certaines restrictions s'appliquent. Voir le site Web pour les détails.

Spécifications

Modèle : SU20K3/3

Entrée	
Tension d'entrée	120/208 V CA, 3 Ø, 4 fils (plus prise de terre), wye
Fréquence d'entrée	60 Hz ± 3 Hz
Intervalle de correction de tension	88-144/166-250 v CA
Courant d'entrée (Par phase, sur secteur)	60 A
Courant d'appel	< 300 A
Facteur de puissance (pleine charge)	> 0,95
Rendement (Pleine charge/sur secteur)	> 89%
Disjoncteur	200 A (3p)
Disjoncteur de dérivation d'entrée	200A (3p)

Sortie	
VA	20000
Watts (Facteur de puissance : 0,8)	16000
Forme d'onde (sur secteur)	Sinusoidale
Forme d'onde (sur batterie)	Sinusoidale
Tension de sortie (RMS)	120/208 v CA, 3 Ø, 4 fils (plus prise de terre), wye
Fréquence de sortie	60 Hz (± 0,1 Hz sur batterie)
Régulation de tension	±2%
Distorsion harmonique maximale (Charge pleine non linéaire)	≤ 5%
Capacités de surcharge	<102% (continue), 102%~125% (1 min.), 125%~150% (30 sec.), ≥150% (2 sec.)
Capacité de court circuit	≥167A
Facteur de crête	3:1

Batterie	
Type de batterie	sans entretien, 240 v CC, 9 AH
Quantité de bloc batterie	Deux blocs (20 batteries 12 v CC par bloc)
Protection	Quatre fusibles à cartouche 3A 600 v CC homologués UL (deux par bloc batterie) et une boîte à fusible (1 par bloc batterie)
Durée normale de secours (mi charge)	17 min. +
Durée normale de secours (mi charge)	5 min. +

Fonctionnement	
Durée du transfert sur secteur (Secteur à batterie, batterie à secteur)	0 ms
Bruit audible (Pleine charge @ 1 mètre)	< 65 dBA

Indicateurs	
Comprend un écran ACL et des témoins DEL (Secteur CA, Secteur dérivation, CA à CC, CC à CA, Sortie CA, Secours de batterie, dérivation).	

Communications	
Comprend un connecteur femelle RS-232 DB9, un connecteur femelle AS-400 DB9, un connecteur femelle DB9 à contact sec et une fente d'accessoires.	

Connexions	
Bloc de bornes d'entrée	100A
Bloc de bornes de sortie	100A

Spécifications physiques	
Dimensions de l'unité (H x L x P)	90 x 49 x 91 cm
Poids de l'unité	236 kg
Dimensions à l'expédition (H x L x P)	109 x 71 x 113 cm
Poids à l'expédition	276,5 kg

+ Les durées de secours peuvent être prolongées avec des blocs batteries supplémentaires, vendus séparément. TRIPP LITE mène une politique d'amélioration continue. Les caractéristiques techniques sont sujettes à modification sans préavis.

Modèle : SU20K3/3XR5

Entrée	
Tension d'entrée	120/208 V CA, 3 Ø, 4 fils (plus prise de terre), wye
Fréquence d'entrée	60 Hz ± 3 Hz
Intervalle de correction de tension	88-144/166-250 v CA
Courant d'entrée (Par phase, sur secteur)	60 A
Courant d'appel	< 300 A
Facteur de puissance (pleine charge)	> 0,95
Rendement (Pleine charge/sur secteur)	> 89%
Disjoncteur	200 A (3p)
Disjoncteur de dérivation d'entrée	200A (3p)

Sortie	
VA	20000
Watts (Facteur de puissance : 0,8)	16000
Forme d'onde (sur secteur)	Sinusoidale
Forme d'onde (sur batterie)	Sinusoidale
Tension de sortie (RMS)	120/208 v CA, 3 Ø, 4 fils (plus prise de terre), wye
Fréquence de sortie	60 Hz (± 0,1 Hz sur batterie)
Régulation de tension	±2%
Distorsion harmonique maximale (Charge pleine non linéaire)	≤ 5%
Capacités de surcharge	<102% (continue), 102%~125% (1 min.), 125%~150% (30 sec.), ≥150% (2 sec.)
Capacité de court circuit	≥167A
Facteur de crête	3:1

Batterie	
Type de batterie	Sans entretien, 240 v CC, 9 AH
Quantité de bloc batterie	Deux blocs (20 batteries 12 v CC par bloc)
Protection	Quatre fusibles à cartouche 3A 600 v CC homologués UL (deux par bloc batterie) et une boîte à fusible (1 par bloc batterie)
Durée normale de secours (mi charge)	42 min. +
Durée normale de secours (mi charge)	17 min. +

Fonctionnement	
Durée du transfert sur secteur (Secteur à batterie, batterie à secteur)	0 ms
Bruit audible (Pleine charge @ 1 mètre)	< 65 dBA

Indicateurs	
Comprend un écran ACL et des témoins DEL (Secteur CA, Secteur dérivation, CA à CC, CC à CA, Sortie CA, Secours de batterie, dérivation).	

Communications	
Comprend un connecteur femelle RS-232 DB9, un connecteur femelle AS-400 DB9, un connecteur femelle DB9 à contact sec et une fente d'accessoires.	

Connexions	
Bloc de bornes d'entrée	100A
Bloc de bornes de sortie	100A

Spécifications physiques	
Dimensions de l'unité (H x L x P)	118 x 49 x 91 cm
Poids de l'unité	424 kg
Dimensions à l'expédition (H x L x P)	156 x 78 x 113 cm
Poids à l'expédition	523 kg

Spécifications (suite)

Modèle : SU30K3/3

Entrée	
Tension d'entrée	120/208 V CA, 3 Ø, 4 fils (plus prise de terre), wye
Fréquence d'entrée	60 Hz ± 3 Hz
Intervalle de correction de tension	88-144/166-250 v CA
Courant d'entrée (Par phase, sur secteur)	90 A
Courant d'appel	< 300 A
Facteur de puissance (pleine charge)	> 0,95
Rendement (Pleine charge/sur secteur)	> 89%
Disjoncteur	200 A (3p)
Disjoncteur de dérivation d'entrée	200A (3p)

Sortie	
VA	30000
Watts (Facteur de puissance : 0,8)	24000
Forme d'onde (sur secteur)	Sinusoïdale
Forme d'onde (sur batterie)	Sinusoïdale
Tension de sortie (RMS)	120/208 v CA, 3 Ø, 4 fils (plus prise de terre), wye
Fréquence de sortie	60 Hz (± 0,1 Hz sur batterie)
Régulation de la tension	±2%
Distorsion harmonique maximale (Charge pleine non linéaire)	≤ 5%
Capacités de surcharge	<102% (continue), 102%~125% (1 min.), 125%~150% (30 sec.), ≥150% (2 sec.)
Capacité de court circuit	≥250 A
Facteur de crête	3:1

Batterie	
Type de batterie	Sans entretien, 240 v CC, 9 AH
Quantité de bloc batterie	Trois blocs (20 batteries 12 v CC par bloc)
Protection	Six fusibles à cartouche 3A 600 v CC homologués UL (deux par bloc batterie) et une boîte à fusible (1 par bloc batterie)
Durée normale de secours (mi charge)	13 min. +
Durée normale de secours (mi charge)	5 min. +

Fonctionnement	
Durée du transfert sur secteur (Secteur à batterie, batterie à secteur)	0 ms
Bruit audible (Pleine charge @ 1 mètre)	< 65 dBA

Indicateurs	
Comprend un écran ACL et des témoins DEL (Secteur CA, Secteur dérivation, CA à CC, CC à CA, Sortie CA, Secours de batterie, dérivation).	

Communications	
Comprend un connecteur femelle RS-232 DB9, un connecteur femelle AS-400 DB9, un connecteur femelle DB9 à contact sec et une fente d'accessoires.	

Connexions	
Bloc de bornes d'entrée	100A
Bloc de bornes de sortie	100A

Spécifications physiques	
Dimensions de l'unité (H x L x P)	90 x 49 x 91 cm
Poids de l'unité	300 kg
Dimensions à l'expédition (H x L x P)	109 x 71 x 113 cm
Poids à l'expédition	340 kg

+ Les durées de secours peuvent être prolongées avec des blocs batteries supplémentaires, vendus séparément. TRIPP LITE mène une politique d'amélioration continue. Les caractéristiques techniques sont sujettes à modification sans préavis.

Numéros d'identification de conformité aux règlements

À des fins de certification et d'identification de conformité aux règlements, votre produit Tripp Lite a reçu un numéro de série unique. Ce numéro se retrouve sur la plaque signalétique du produit, ainsi que toutes les inscriptions et informations d'approbation requises. Lors d'une demande d'information de conformité pour ce produit, toujours faire référence au numéro de série. Il ne faut pas confondre le numéro de série avec le nom de marque ou le numéro de modèle du produit.

Modèle : SU30K3/3XR5

Entrée	
Tension d'entrée	120/208 V CA, 3 Ø, 4 fils (plus prise de terre), wye
Fréquence d'entrée	60 Hz ± 3 Hz
Intervalle de correction de tension	88-144/166-250 v CA
Courant d'entrée (Par phase, sur secteur)	90 A
Courant d'appel	< 300 A
Facteur de puissance (pleine charge)	> 0,95
Rendement (Pleine charge/sur secteur)	> 89%
Disjoncteur	200 A (3p)
Disjoncteur de dérivation d'entrée	200A (3p)

Sortie	
VA	30000
Watts (Facteur de puissance : 0,8)	24000
Forme d'onde (sur secteur)	Sinusoïdale
Forme d'onde (sur batterie)	Sinusoïdale
Tension de sortie (RMS)	120/208 v CA, 3 Ø, 4 fils (plus prise de terre), wye
Fréquence de sortie	60 Hz (± 0,1 Hz sur batterie)
Régulation de la tension	±2%
Distorsion harmonique maximale (Charge pleine non linéaire)	≤ 5%
Capacités de surcharge	<102% (continue), 102%~125% (1 min.), 125%~150% (30 sec.), ≥150% (2 sec.)
Capacité de court circuit	≥250 A
Facteur de crête	3:1

Batterie	
Type de batterie	Sans entretien, 240 v CC, 9 AH
Quantité de bloc batterie	Trois blocs (20 batteries 12 v CC par bloc)
Protection	Six fusibles à cartouche 3A 600 v CC homologués UL (deux par bloc batterie) et une boîte à fusible (1 par bloc batterie)
Durée normale de secours (mi charge)	25 min. +
Durée normale de secours (mi charge)	11 min. +

Fonctionnement	
Durée du transfert sur secteur (Secteur à batterie, batterie à secteur)	0 ms
Bruit audible (Pleine charge @ 1 mètre)	< 65 dBA

Indicateurs	
Comprend un écran ACL et des témoins DEL (Secteur CA, Secteur dérivation, CA à CC, CC à CA, Sortie CA, Secours de batterie, dérivation).	

Communications	
Comprend un connecteur femelle RS-232 DB9, un connecteur femelle AS-400 DB9, un connecteur femelle DB9 à contact sec et une fente d'accessoires.	

Connexions	
Bloc de bornes d'entrée	100A
Bloc de bornes de sortie	100A

Spécifications physiques	
Dimensions de l'unité (H x L x P)	118 x 49 x 91 cm
Poids de l'unité	424 kg
Dimensions à l'expédition (H x L x P)	156 x 78 x 113 cm
Poids à l'expédition	523 kg



1111 W. 35th Street
Chicago, IL 60609 USA
(773) 869-1234
www.tripplite.com